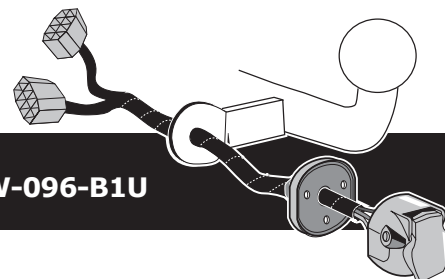


## Volkswagen

- Eos 01/2006>>
- Golf V 10/2003-09/2008
- Golf V Variant 06/2007-08/2009
- Golf V Plus 01/2005-02/2009
- CrossGolf 01/2007-
- Golf VI 10/2008-10/2012
- Golf VI Variant 09/2009-07/2013
- Golf VI Plus 03/2009>>
- Jetta 08/2005-12/2010
- Jetta 01/2011-
- Tiguan I 11/2007-03/2016

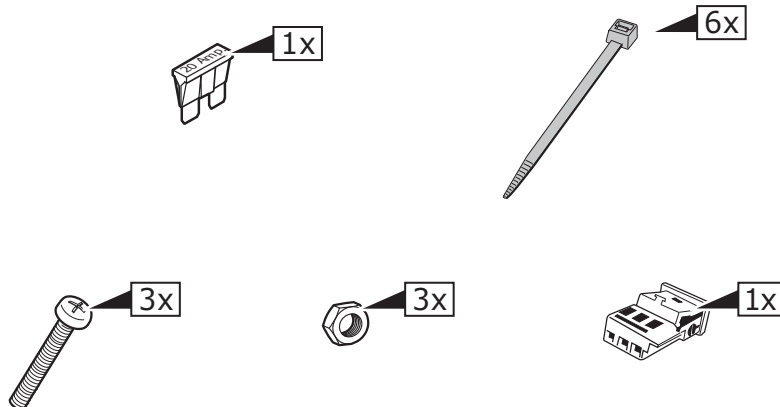
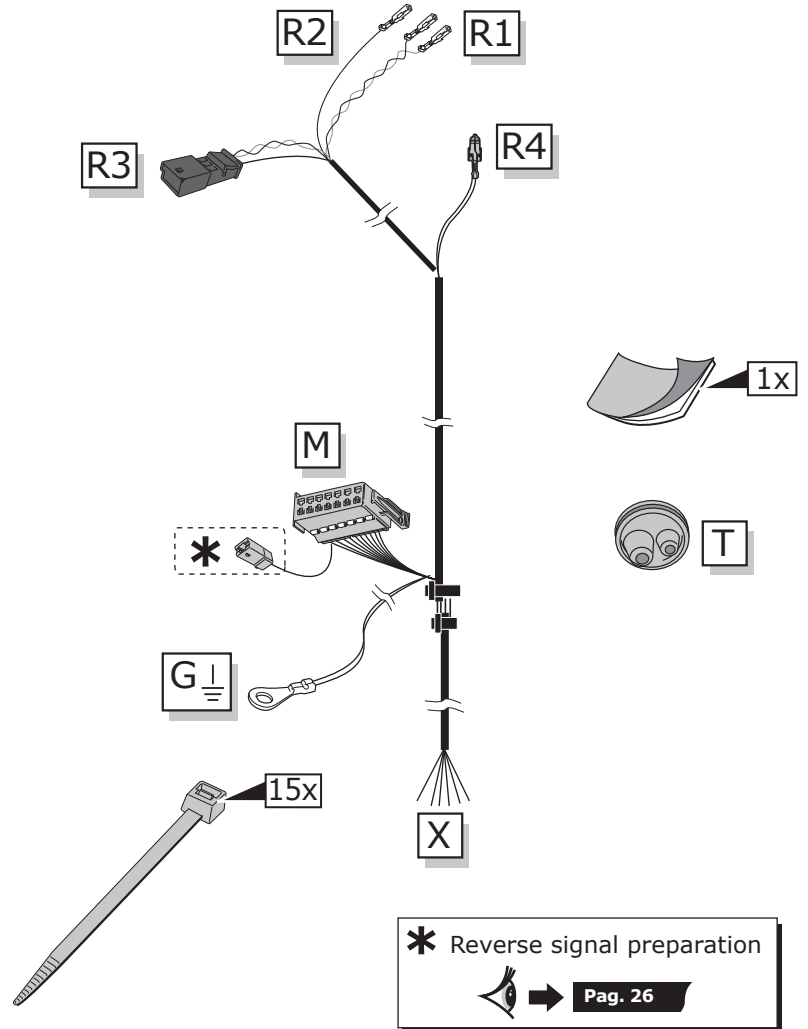
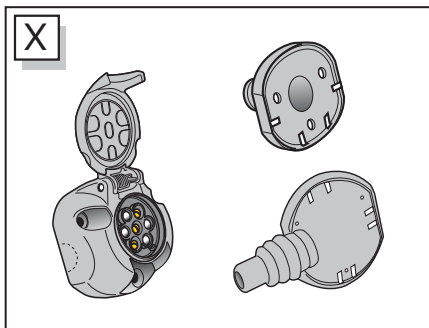
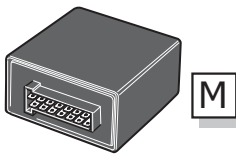
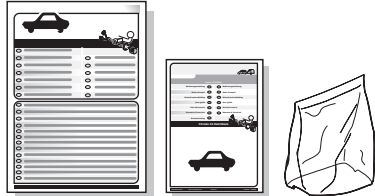
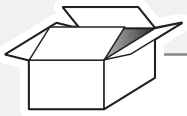


Partnr.: VW-096-B1U

- Fitting instructions electric wiring kit tow bar with 12-N socket up to DIN/ISO Norm 1724.
- We would expressly point out that assembly not carried out properly by a competent installer will result in cancellation of any right to damage compensation, in particular those arising by virtue of the product liability act.
- Contents of these kits and their fitting manuals are subject to alteration without notice, please ensure that these instructions are read and fully understood before commencing installation.
- Do not overload circuits; the maximum loads per connection are detailed in this manual.
- Attention! Before Installation, please read this manual carefully and inform your customer to consult the vehicle owners manual to check for any vehicle modifications required before towing.
- In the event of functional problems, troubleshooting must be limited to about 0.5 hours, contact the technical support:  
ukts@ecs-electronics.com / 07440 202 052.

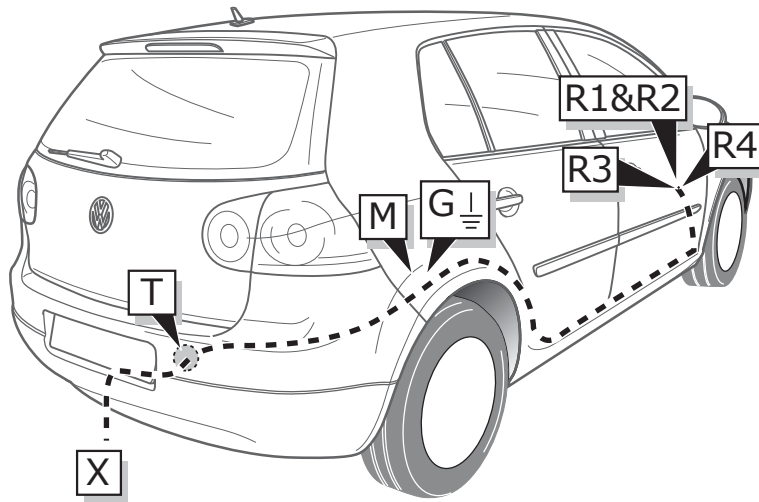


# Part list



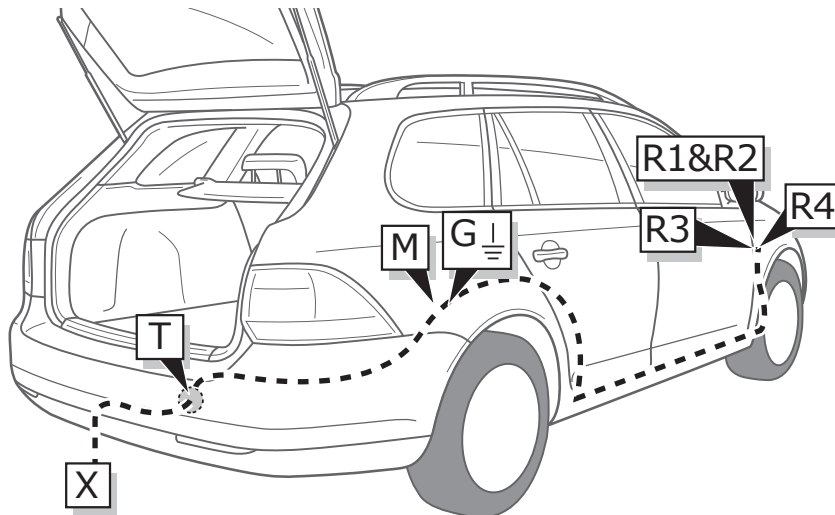
Golf V / Golf VI / Golf VI Plus

ROUTING



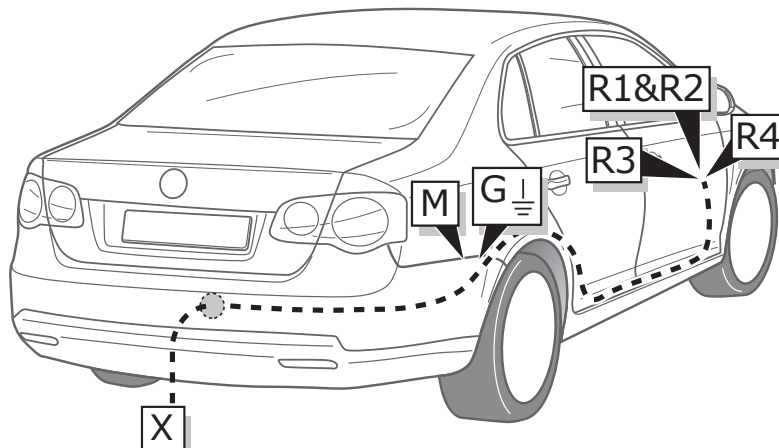
Golf V Variant / Golf VI Variant

ROUTING

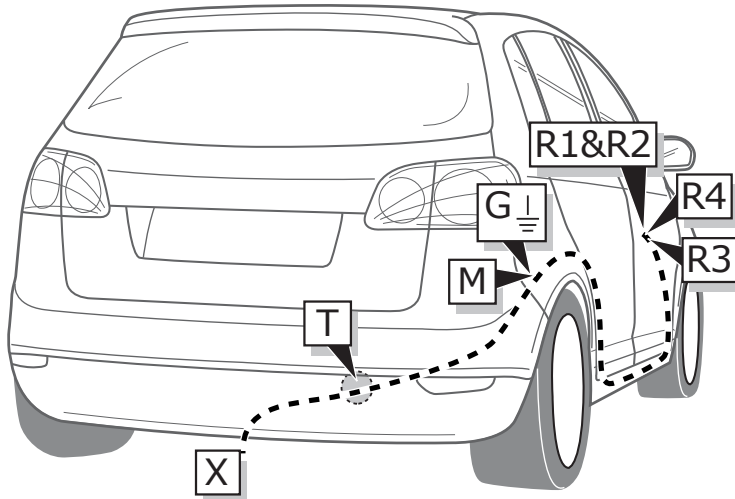


Jetta

ROUTING

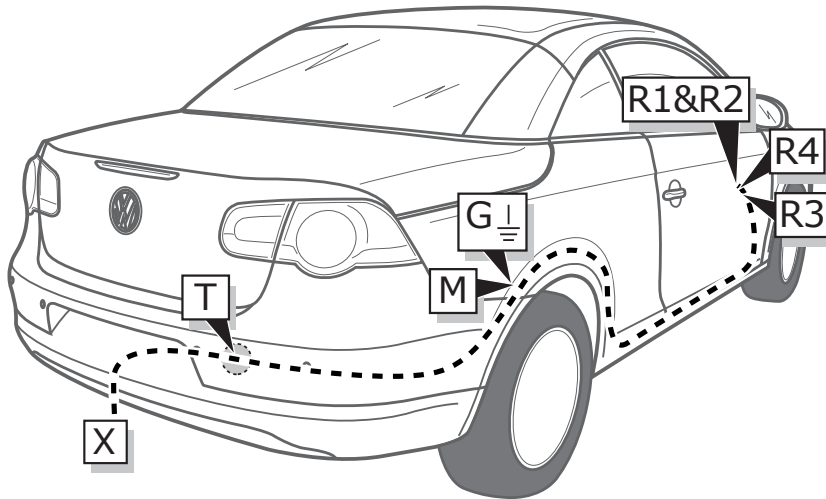


ROUTING



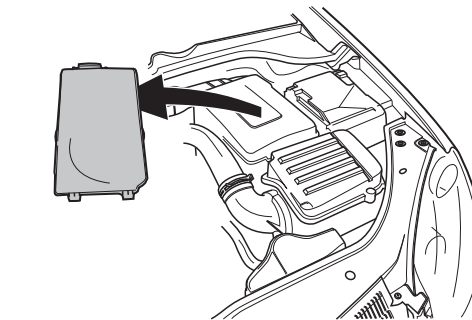
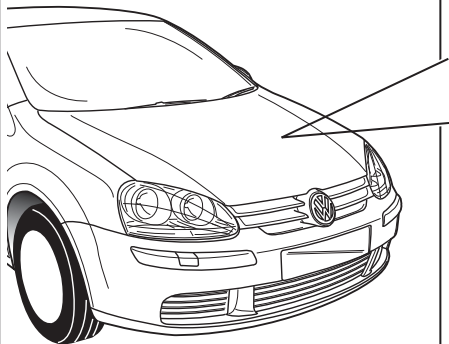
Eos

ROUTING

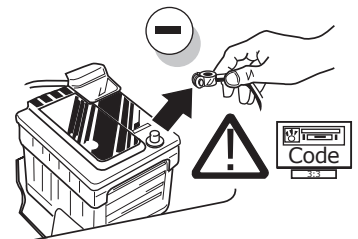


Golf V / Golf V Plus / Golf V Variant / Golf VI / Golf VI Variant / CrossGolf / Jetta / Tiguan / Golf VI Plus / Eos

1

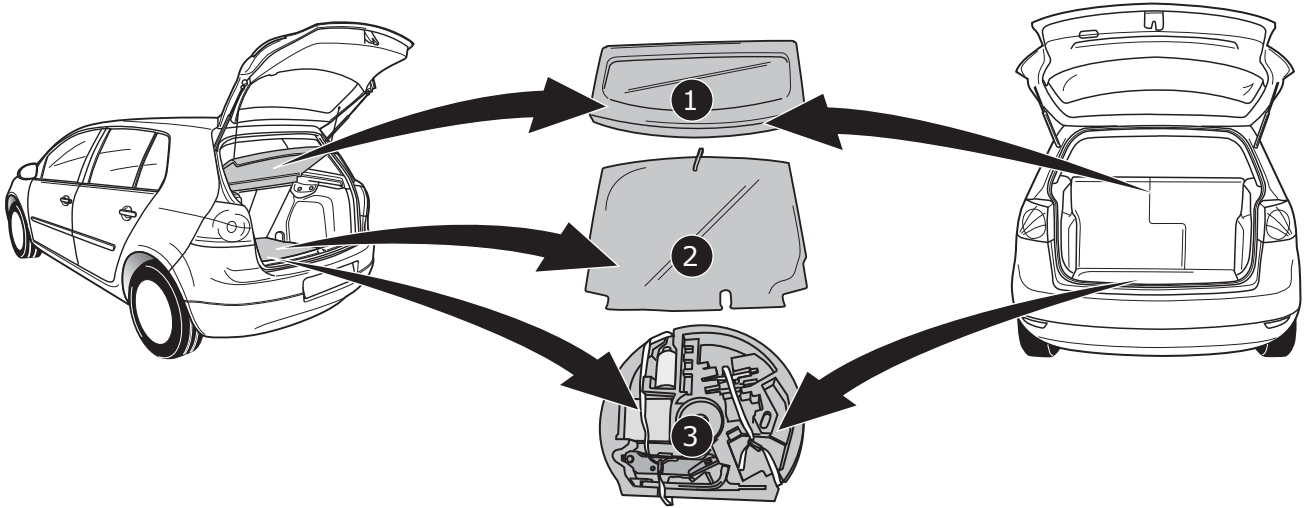


2



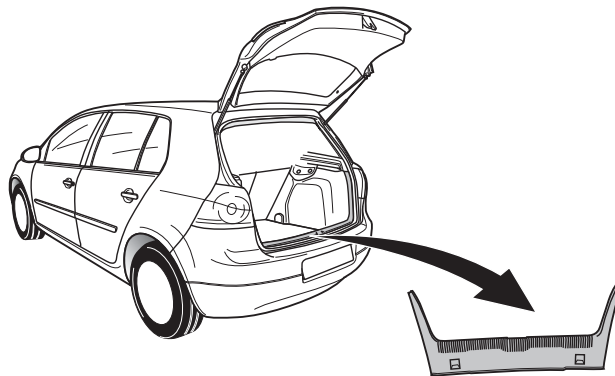
Golf V / Golf VI / Golf V Plus / CrossGolf / Golf VI Plus

2



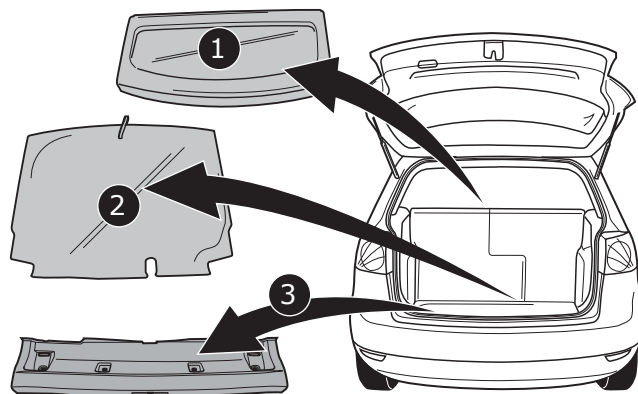
Golf V /Golf VI /Golf VI Plus

3



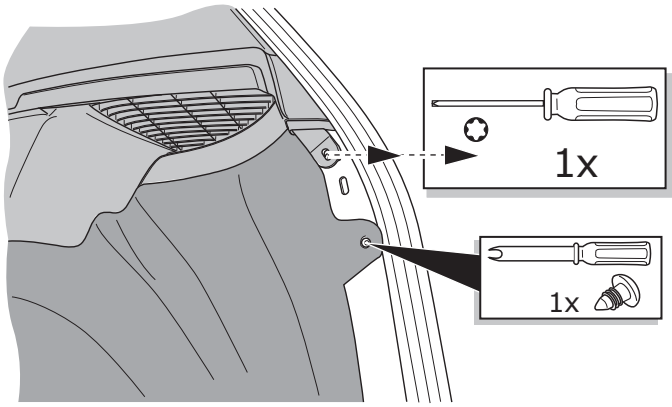
Tiguan

4

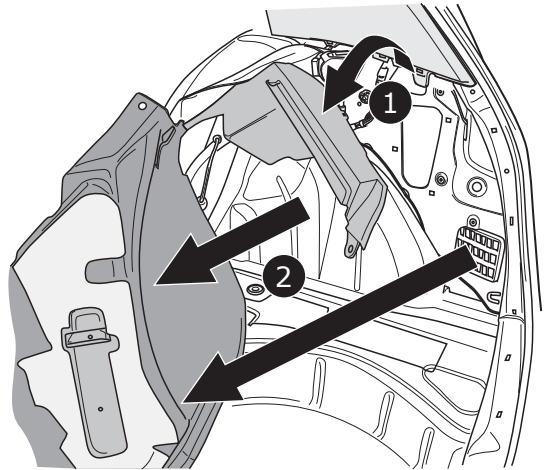


Golf V / Golf VI / Golf V Plus / CrossGolf

5

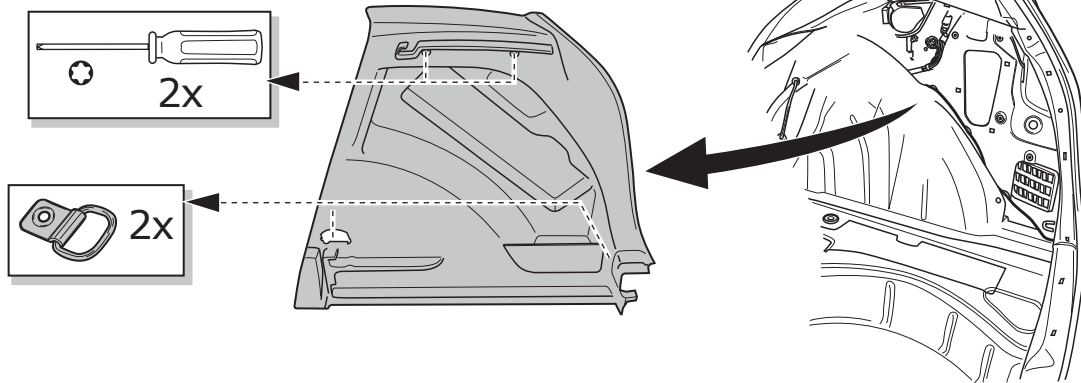


6



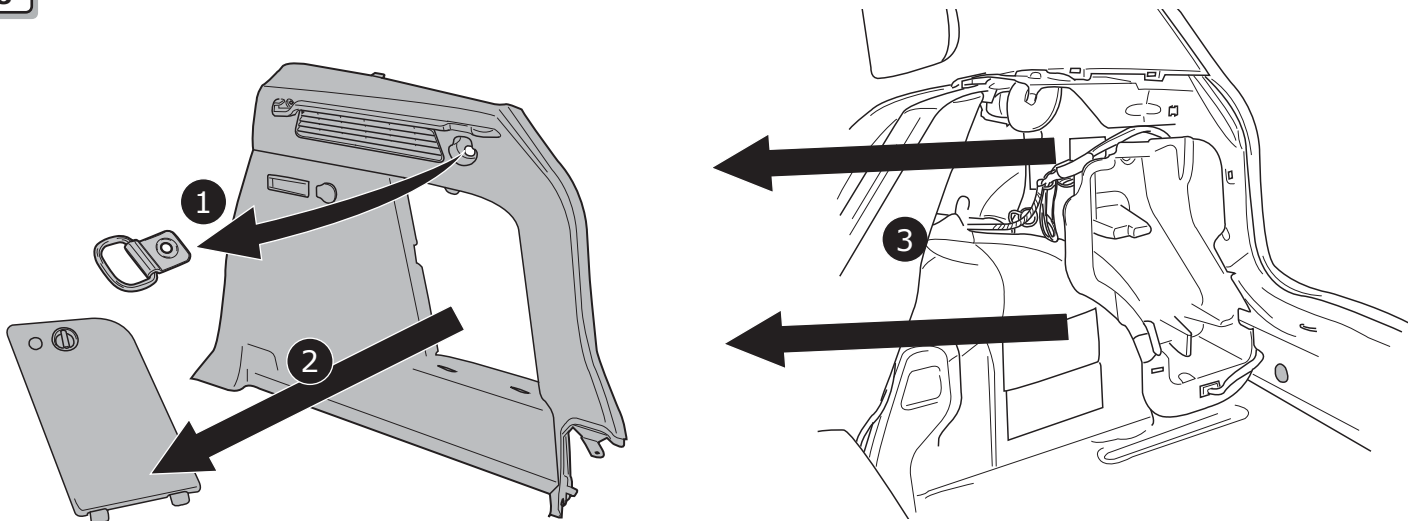
Golf VI Plus

7



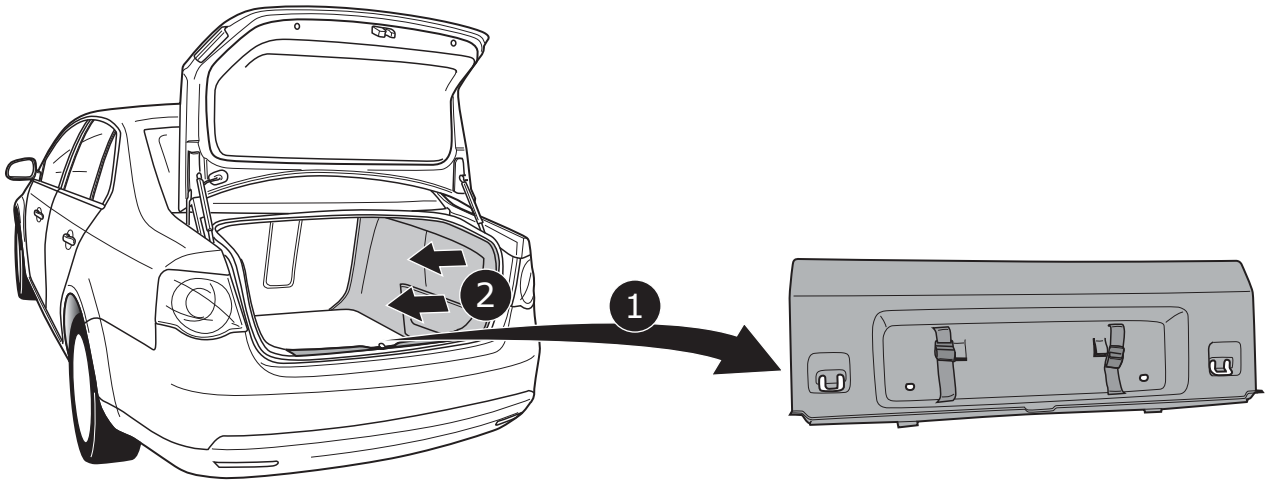
Tiguan

8



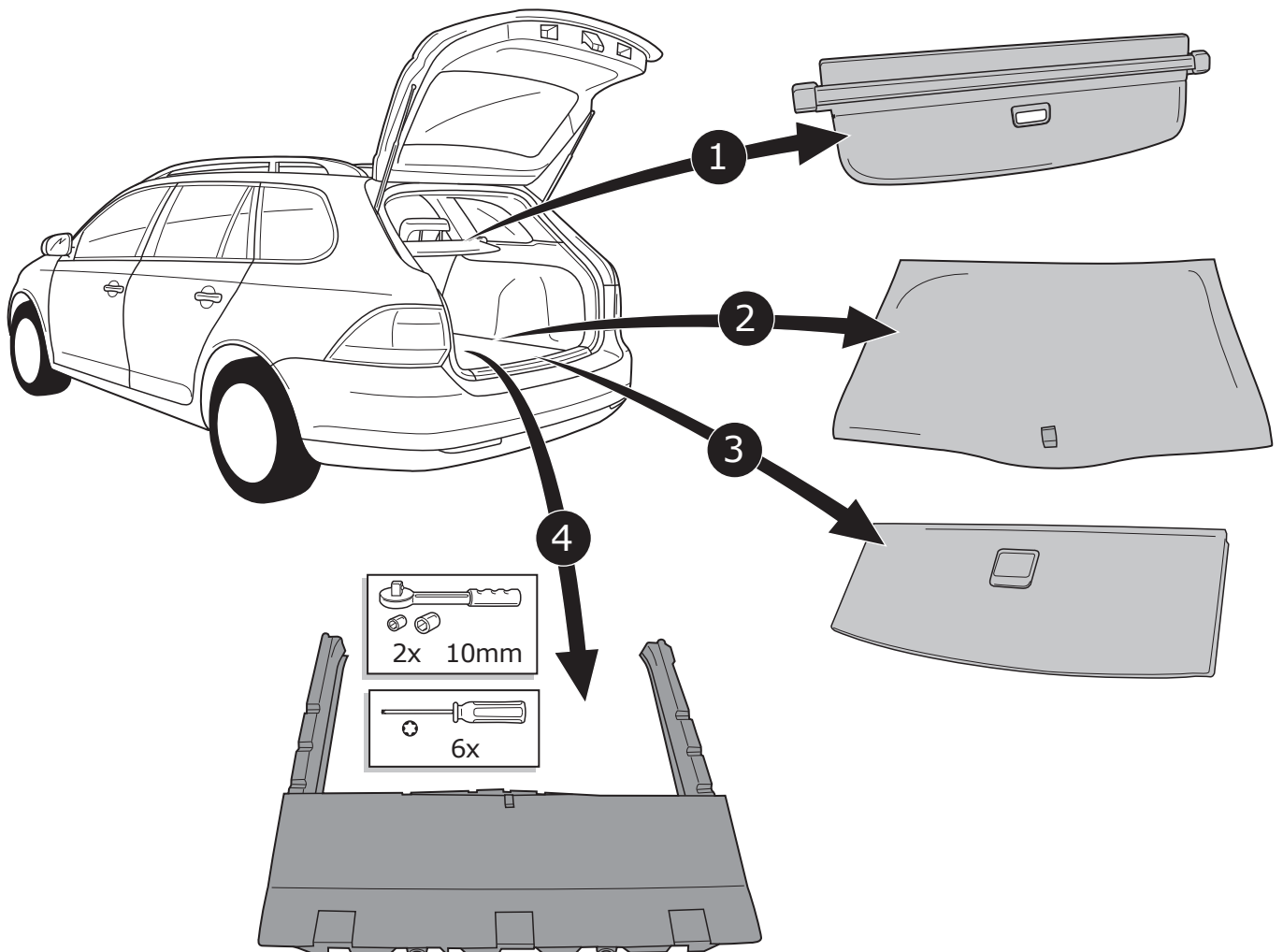
# Jetta

9

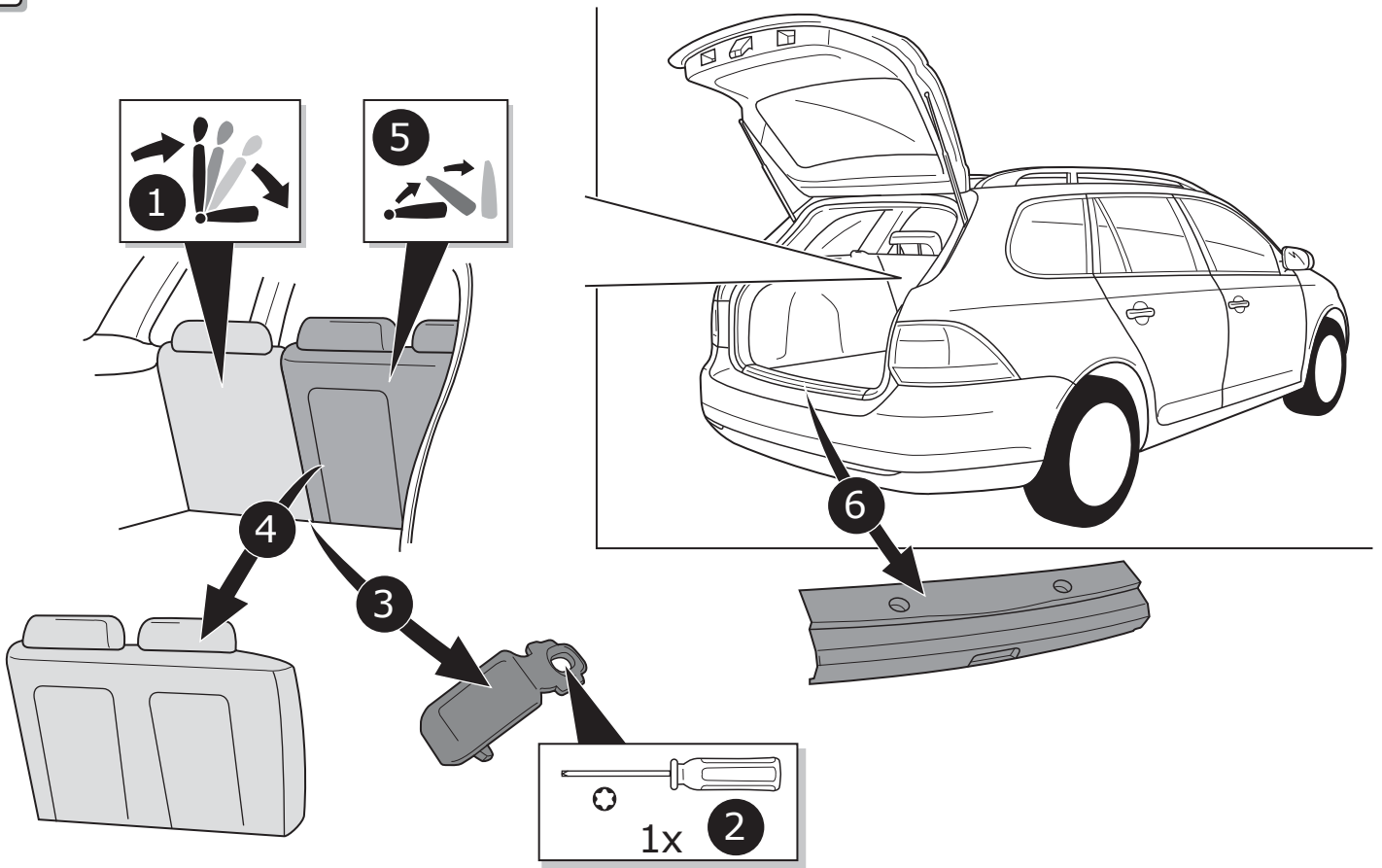


# Golf V Variant / Golf VI Variant

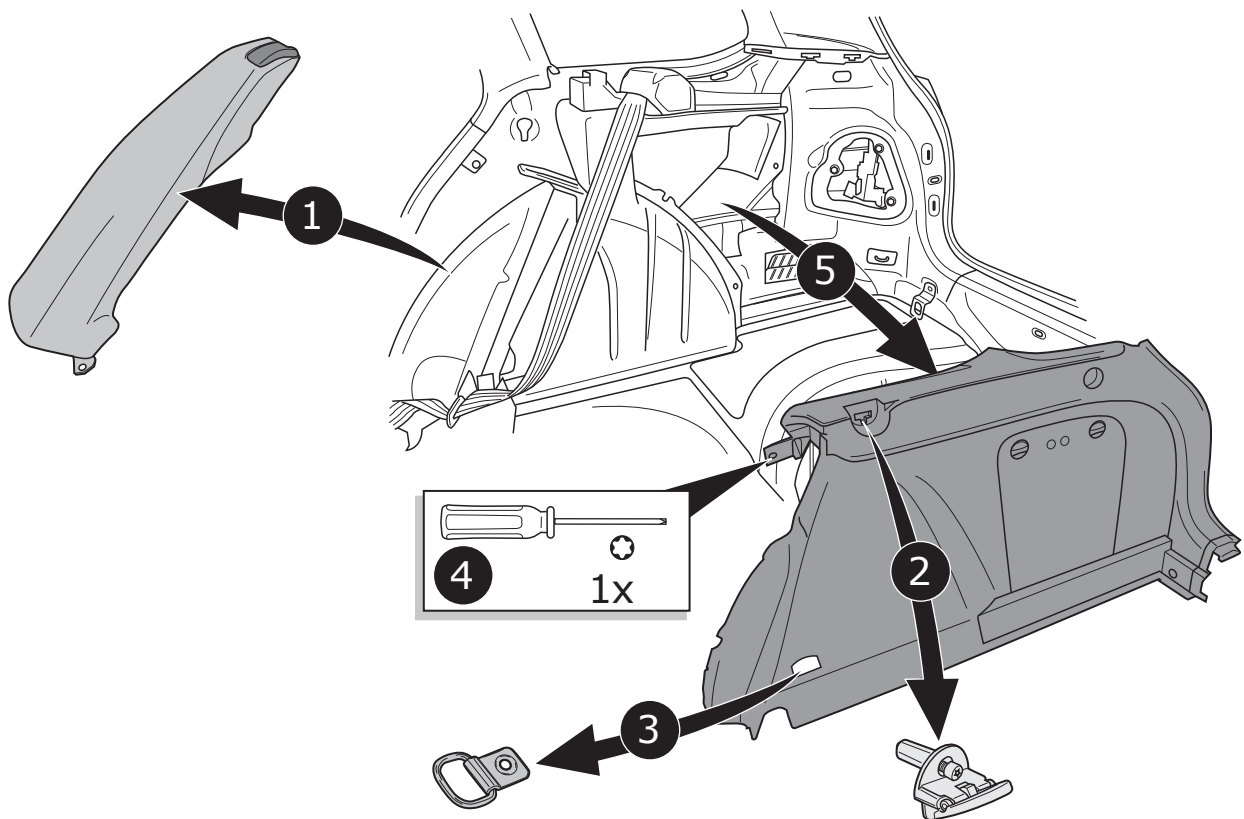
10



11



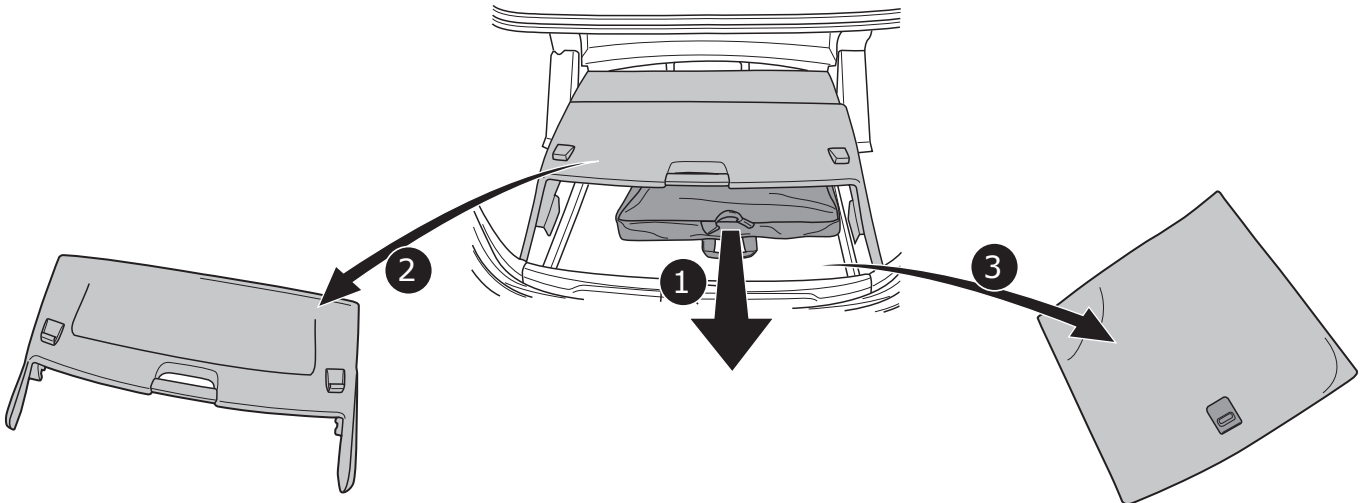
12



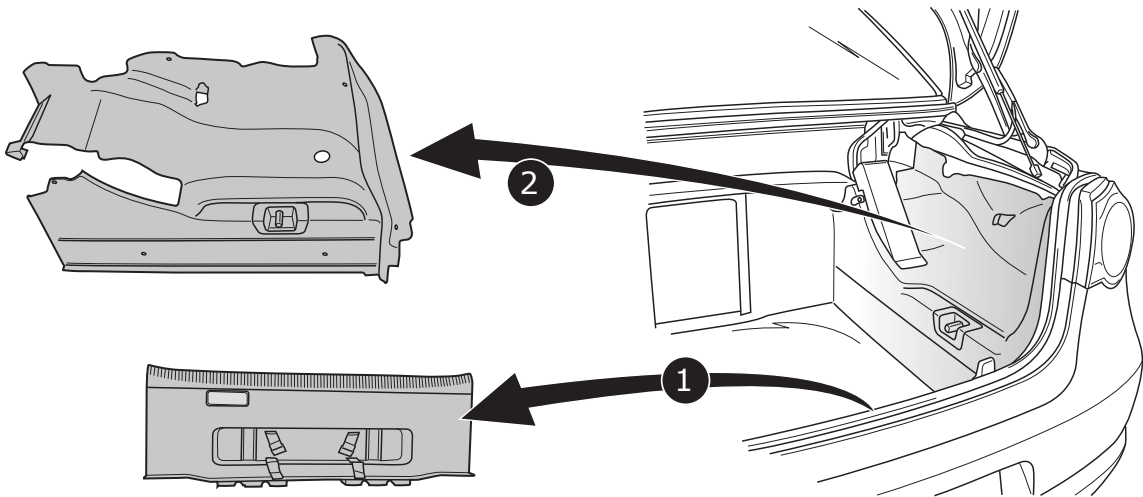


# Eos

13

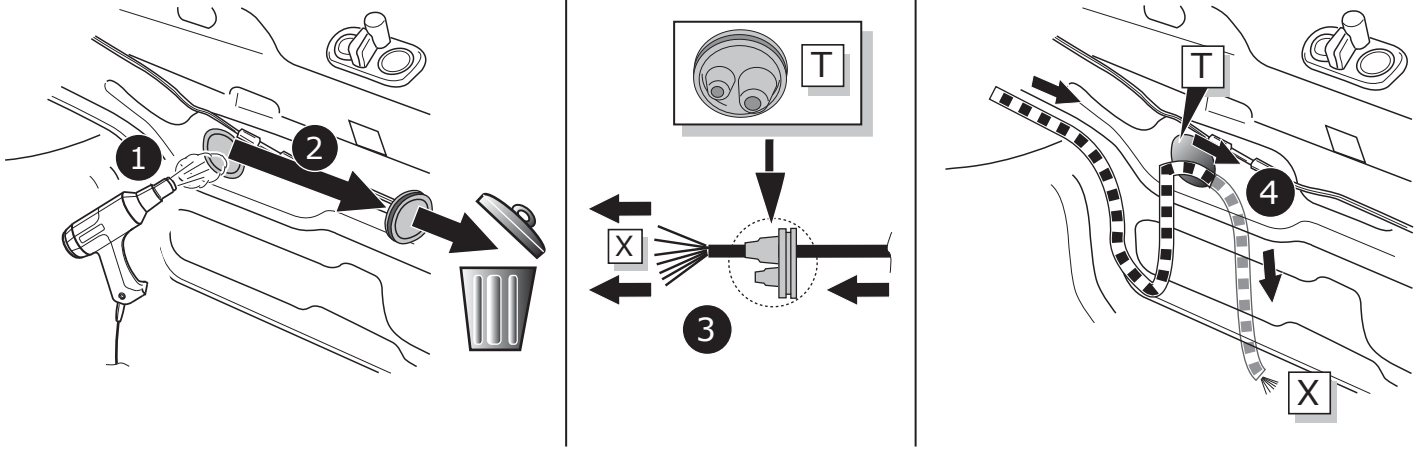


14



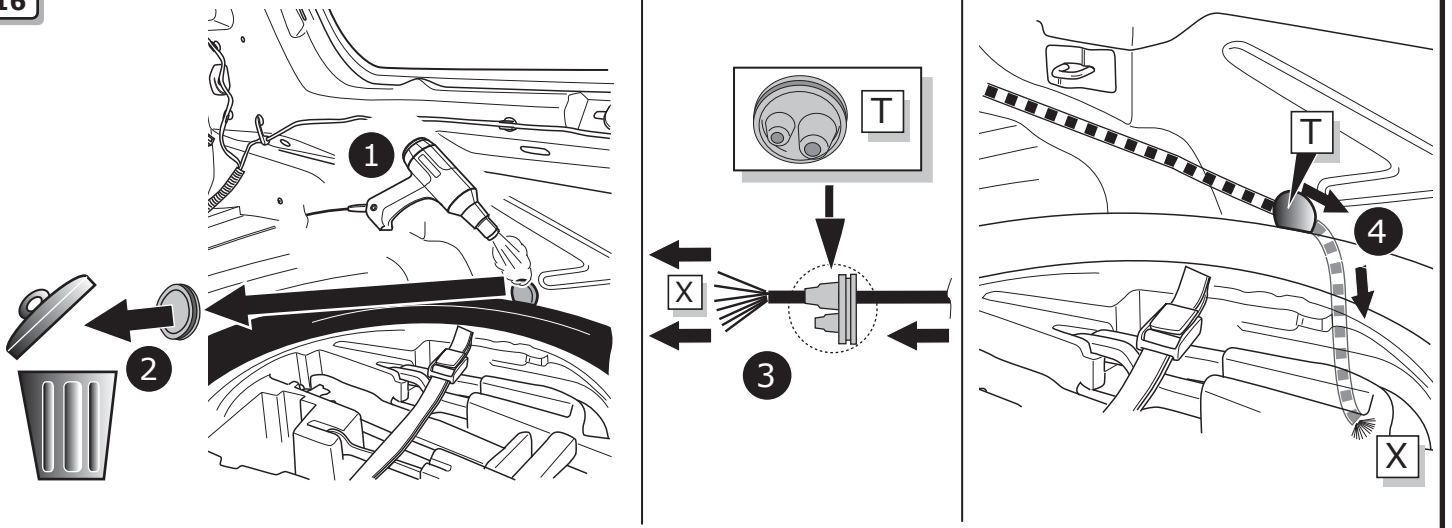
Golf V / Golf VI / Golf VI Variant / Golf V Plus / Golf V Variant / CrossGolf / Golf VI Plus

15



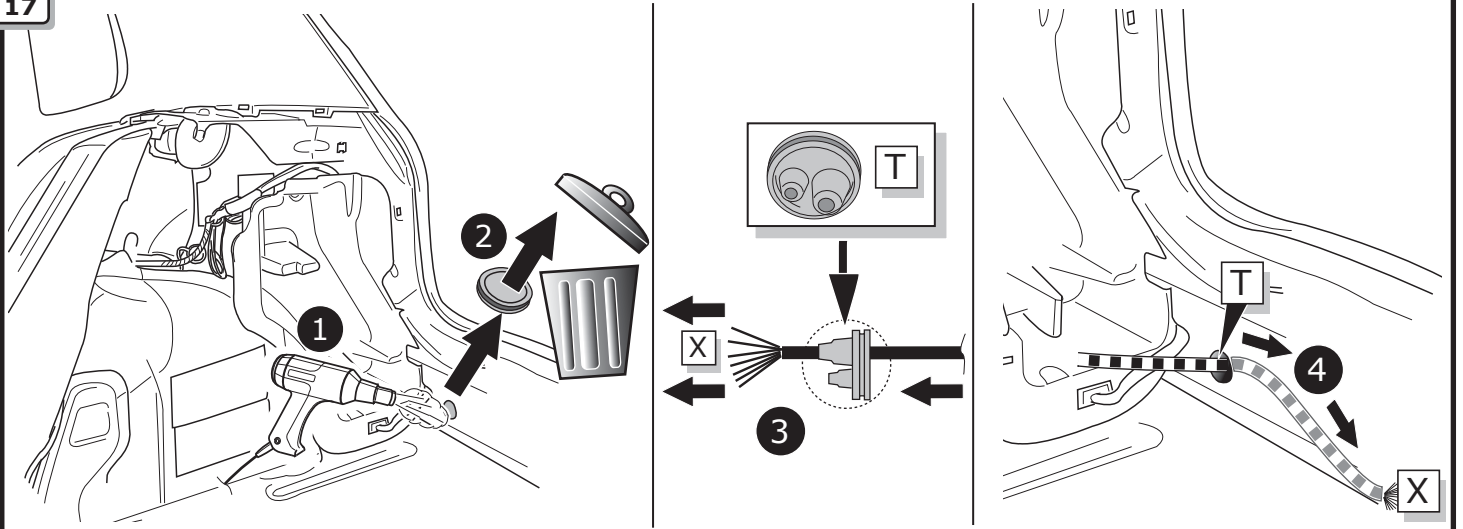
# Jetta

16



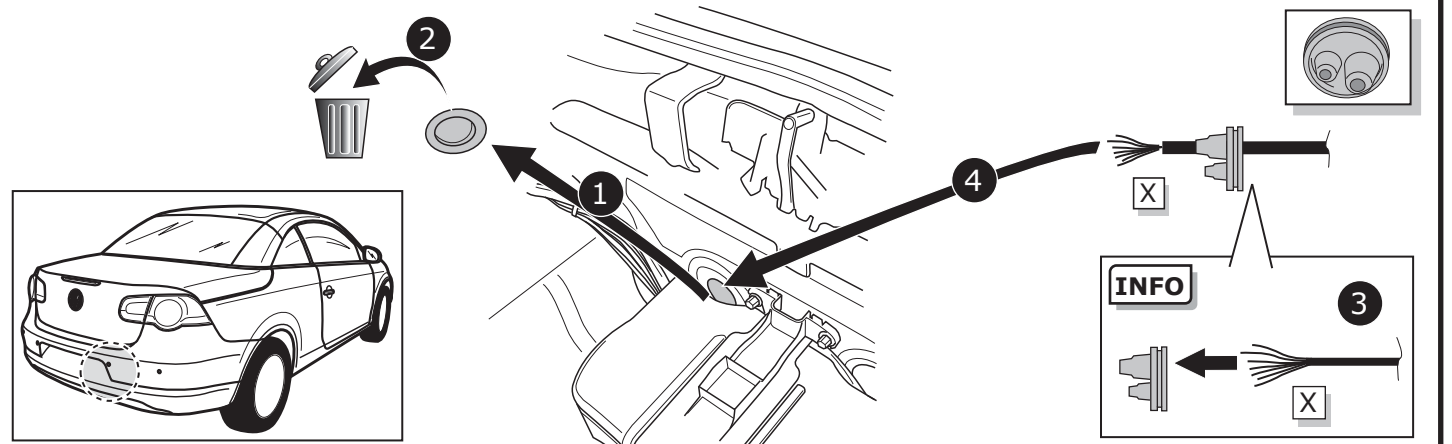
# Tiguan

17



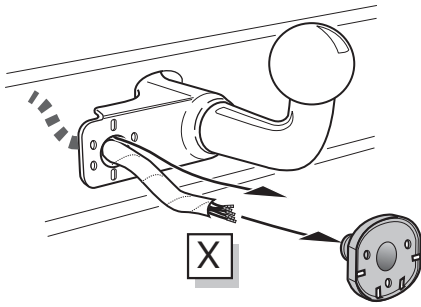
# Eos

18

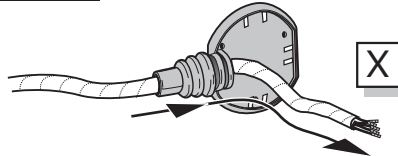


**A**

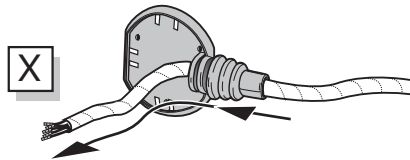
Option 1



Option 2



Option 3



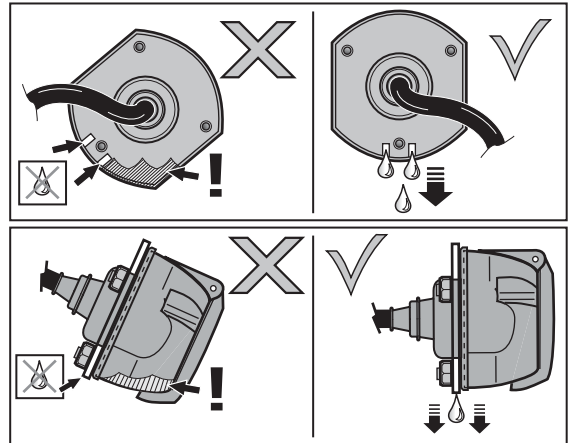
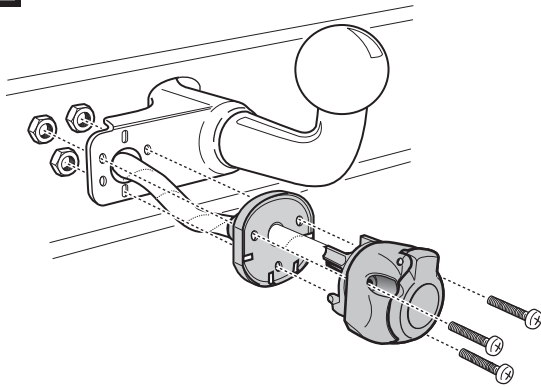
**INFO**

SOCKET CONNECTION

Pag. 25

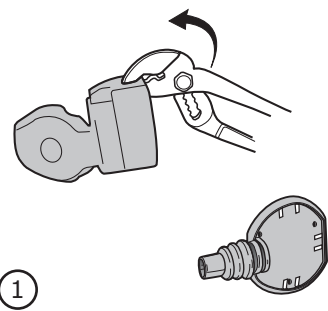
**B**

Option 1

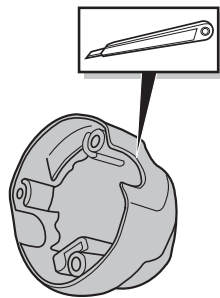


**C**

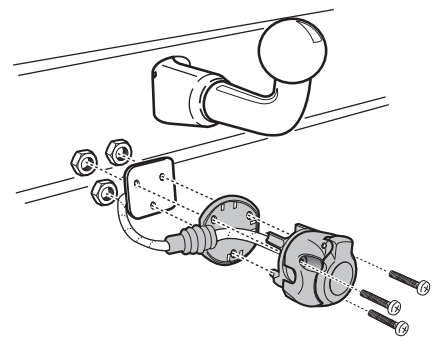
Option 2



①



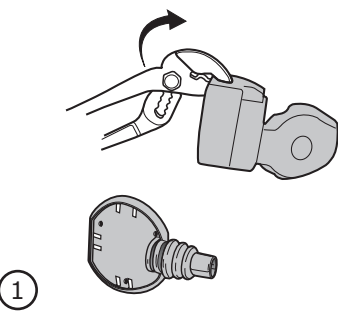
②



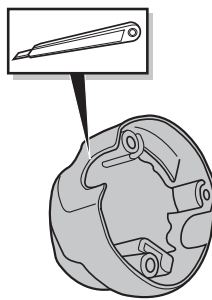
③

**D**

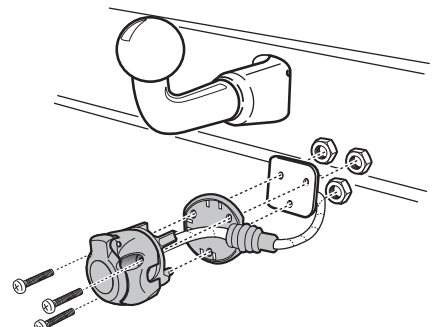
Option 3



①



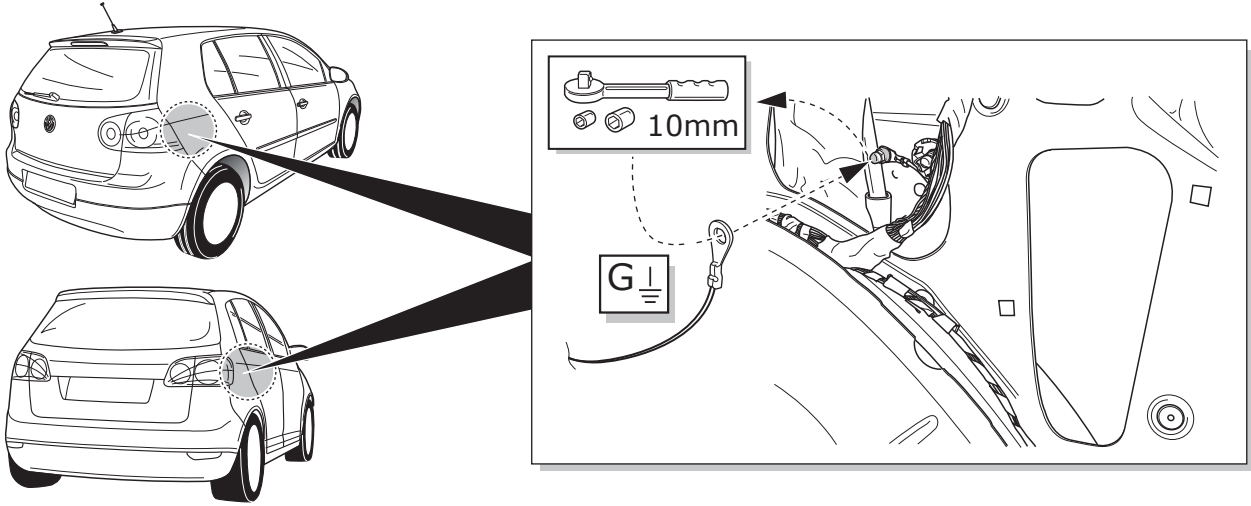
②



③

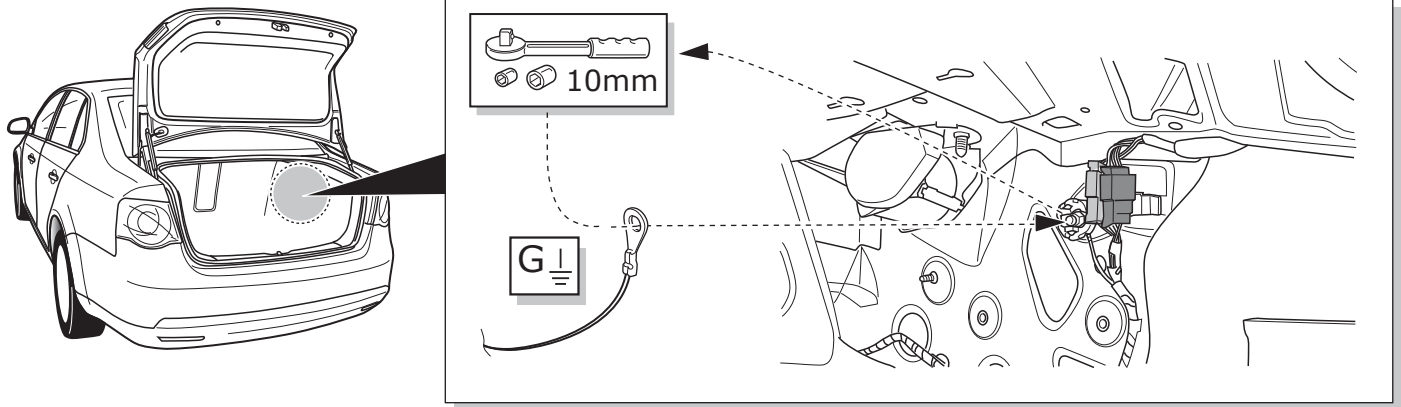
Golf V / Golf VI / Golf V Plus / CrossGolf / Golf VI Plus

19



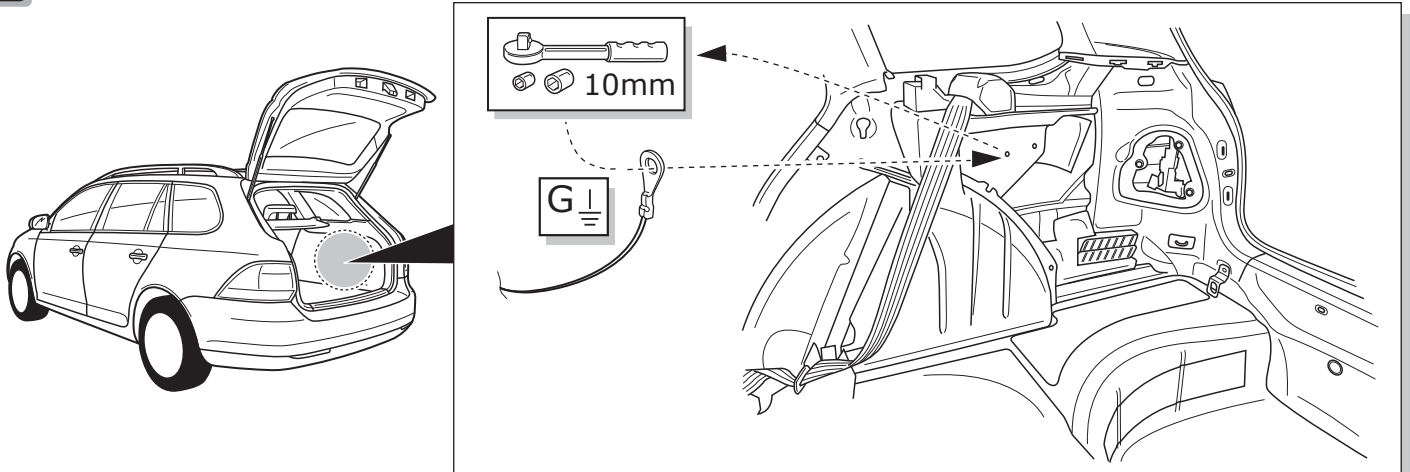
Jetta

20



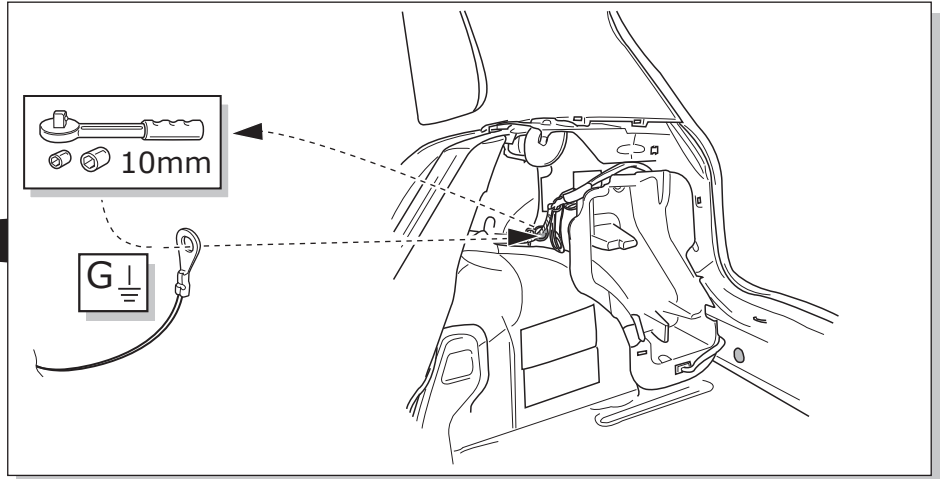
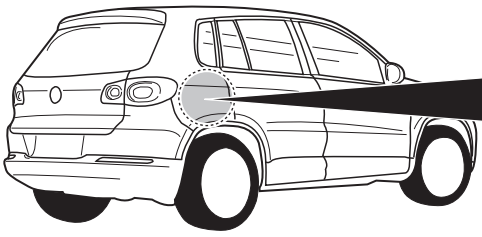
Golf V Variant / Golf VI Variant

21



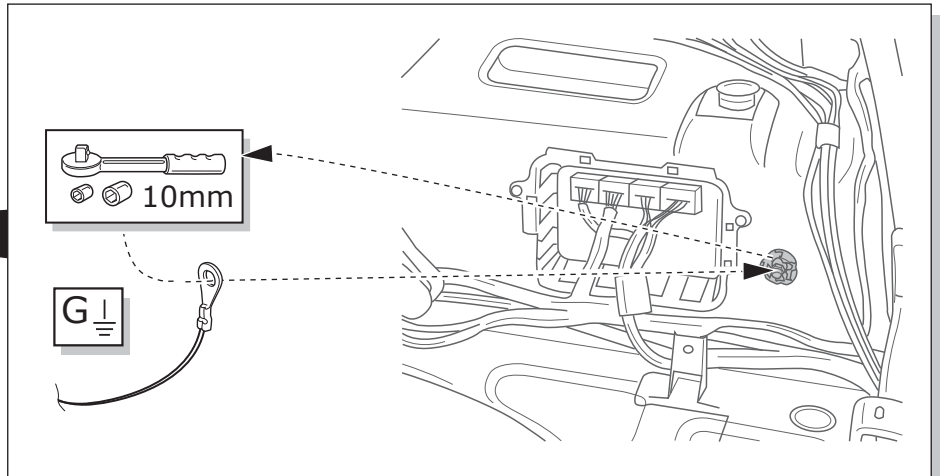
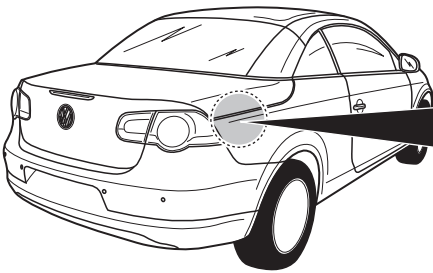
# Tiguan

22



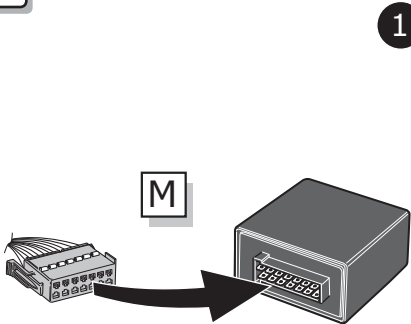
# Eos

23

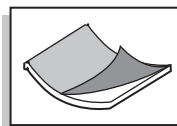


Golf V / Golf VI / Golf VI Variant / Golf V Plus / Golf V Variant / CrossGolf / Jetta / Tiguan / Golf VI Plus / Eos

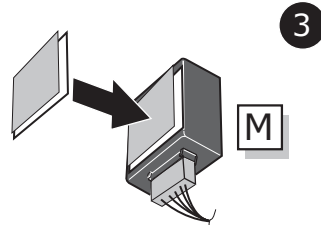
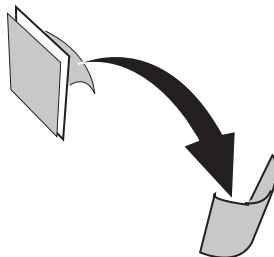
24



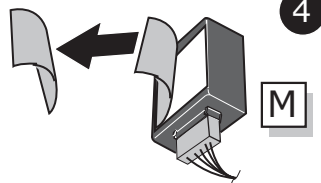
1



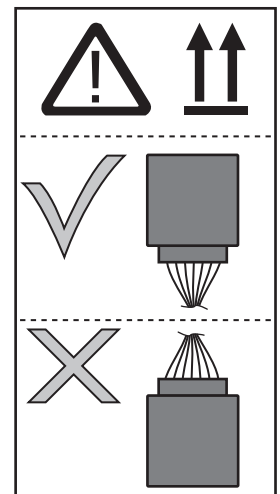
2



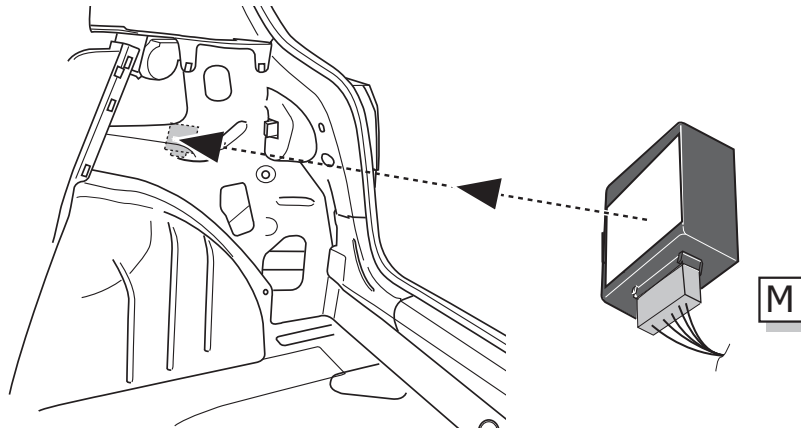
3



4

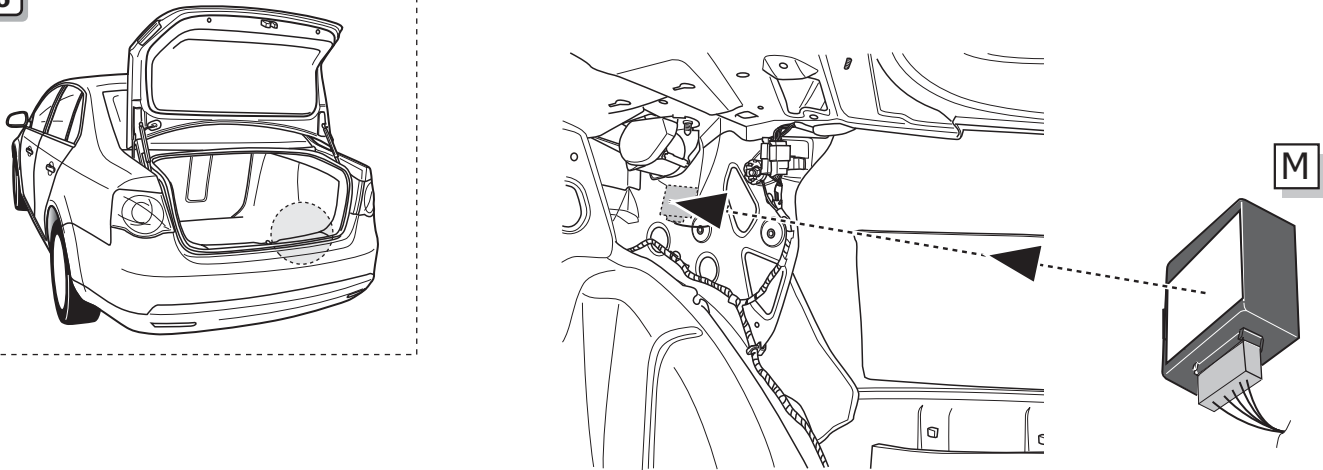


25



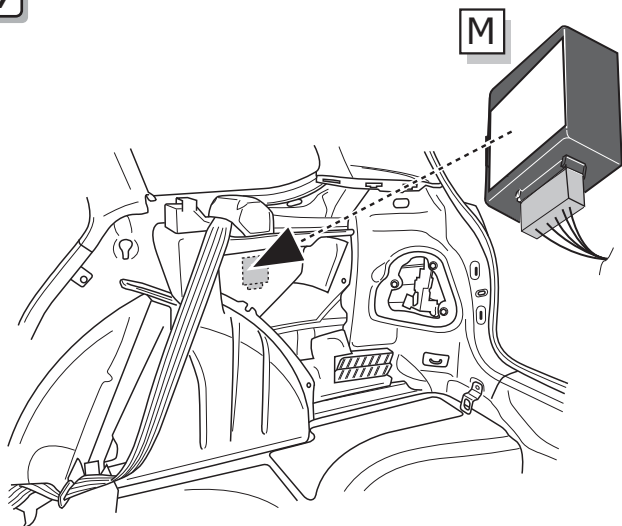
Jetta

26



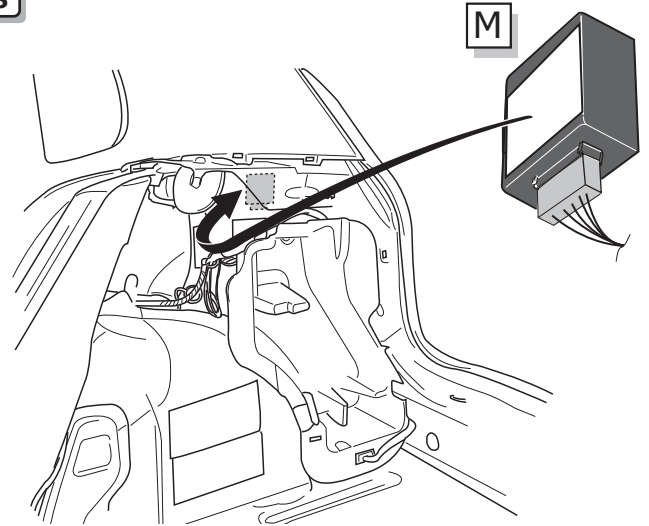
Golf V Variant

27

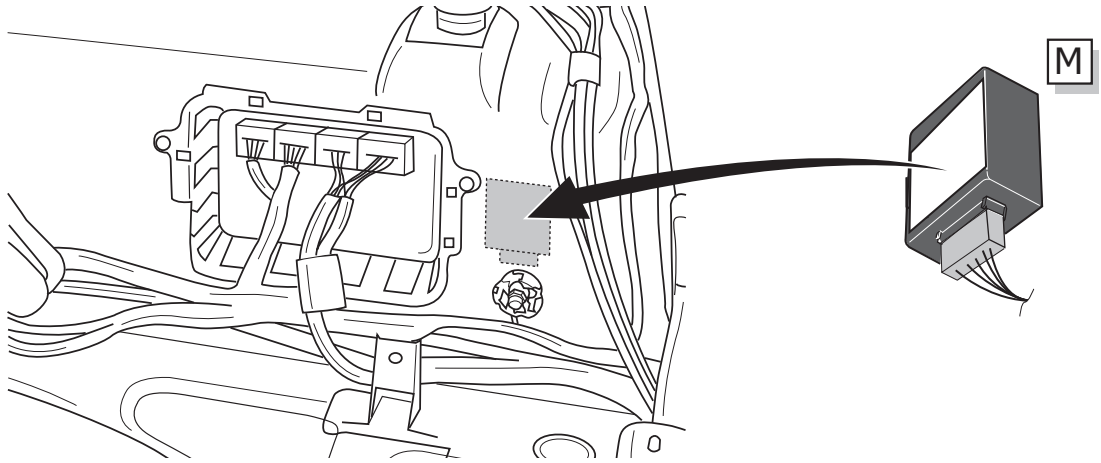


Tiguan

28

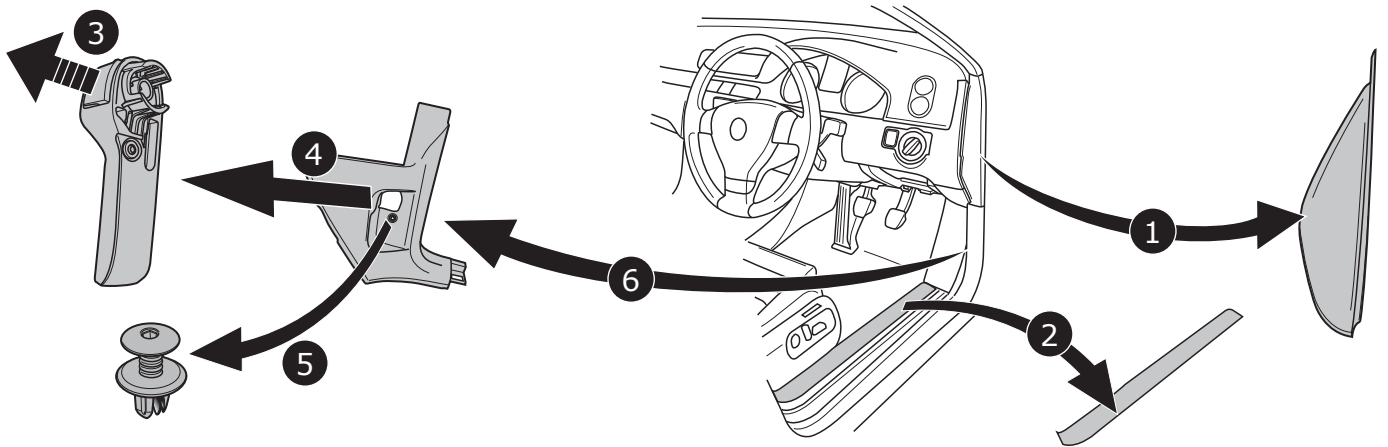


29



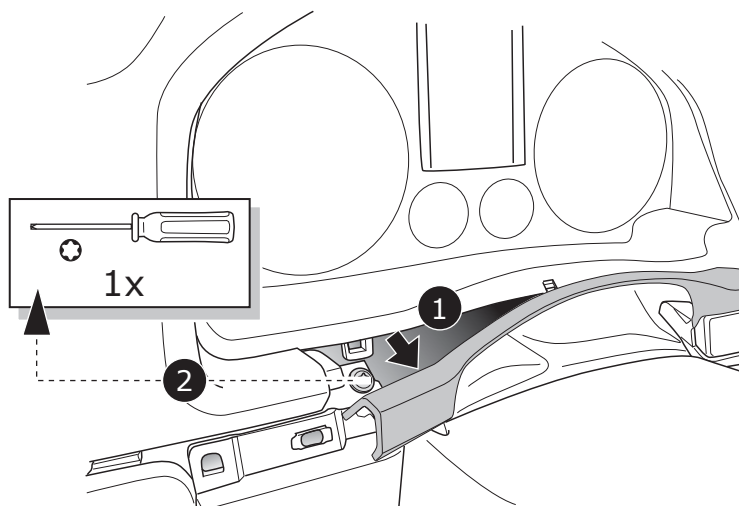
Golf V / Golf VI / Golf VI variant / Golf V Plus / CrossGolf / Tiguan / Golf VI Plus

30

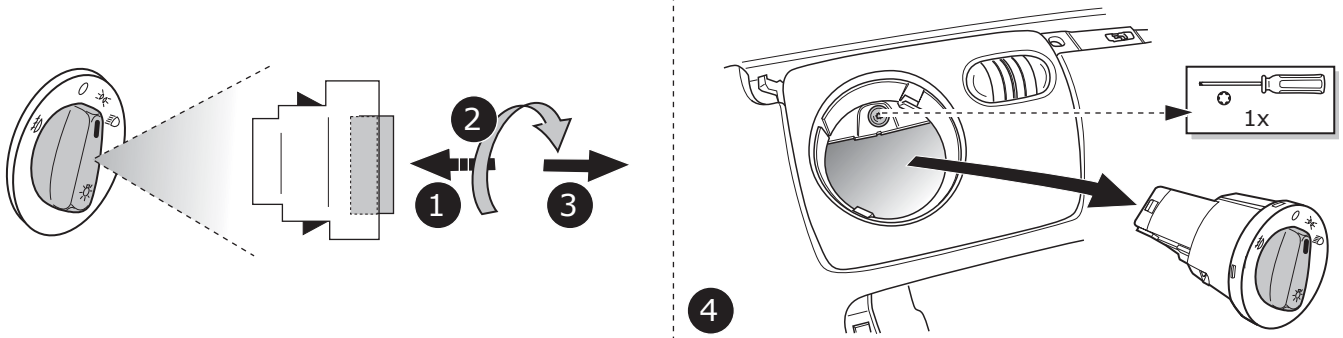


Golf V Variant / Jetta / Tiguan / Golf VI Plus

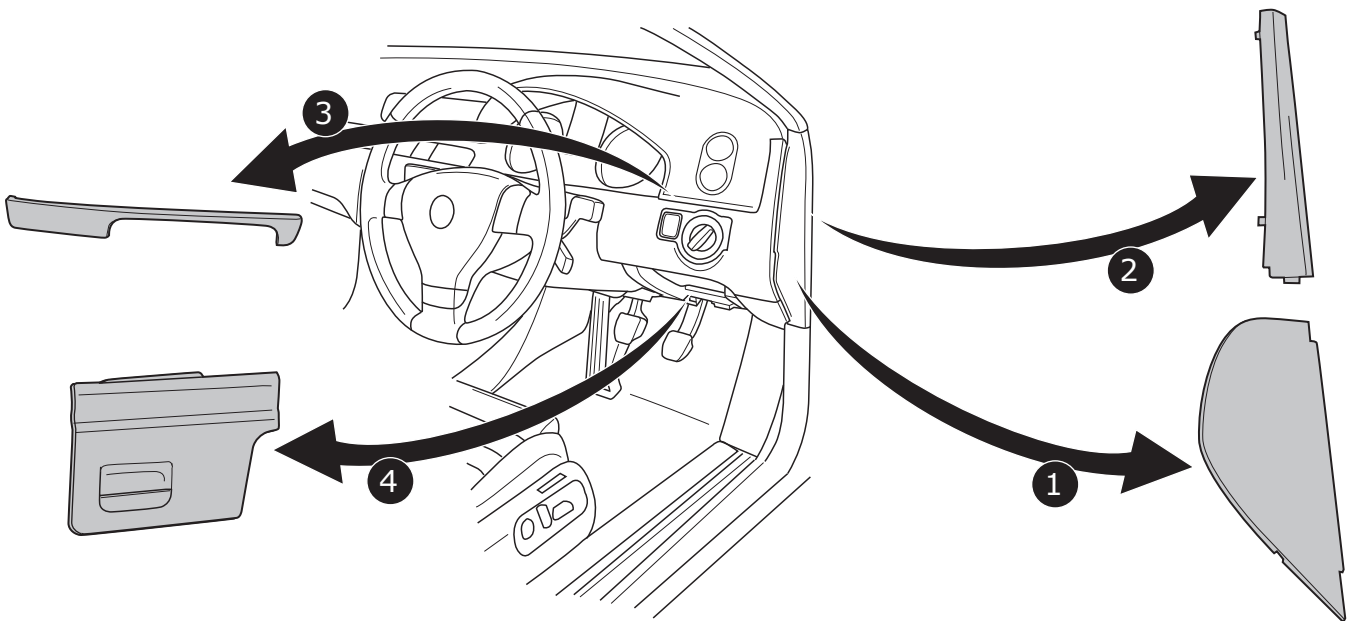
31



32



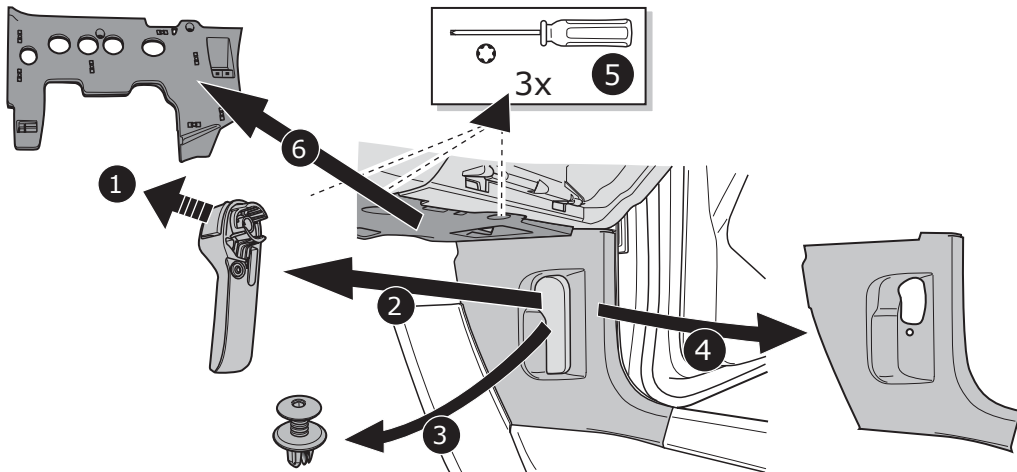
33



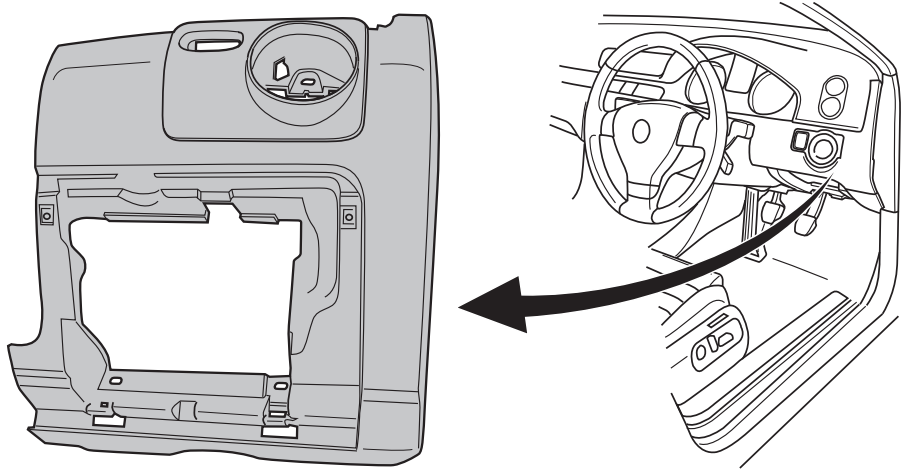


Golf V Variant / Jetta

34

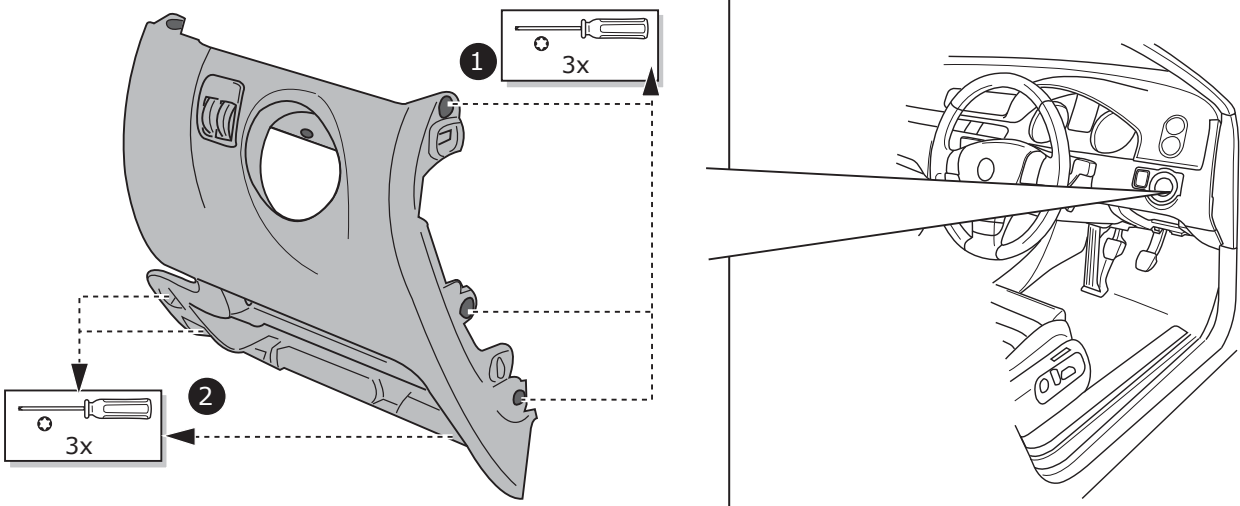


35

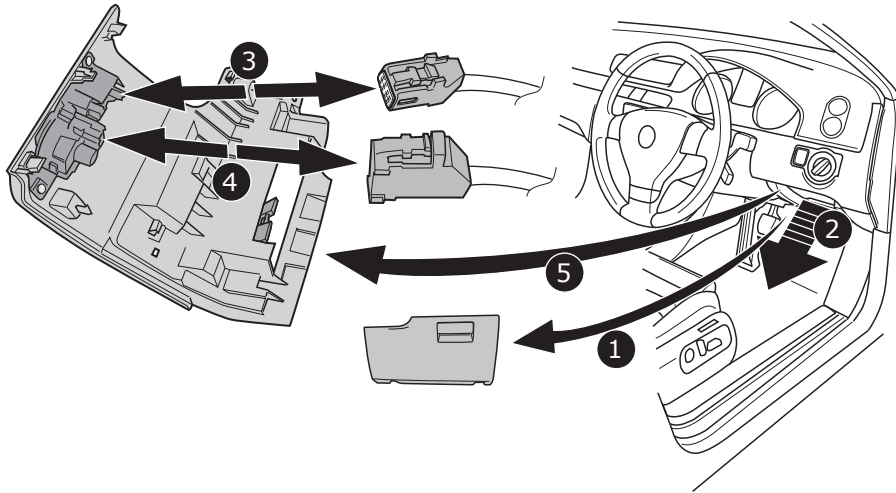


Tiguan

36

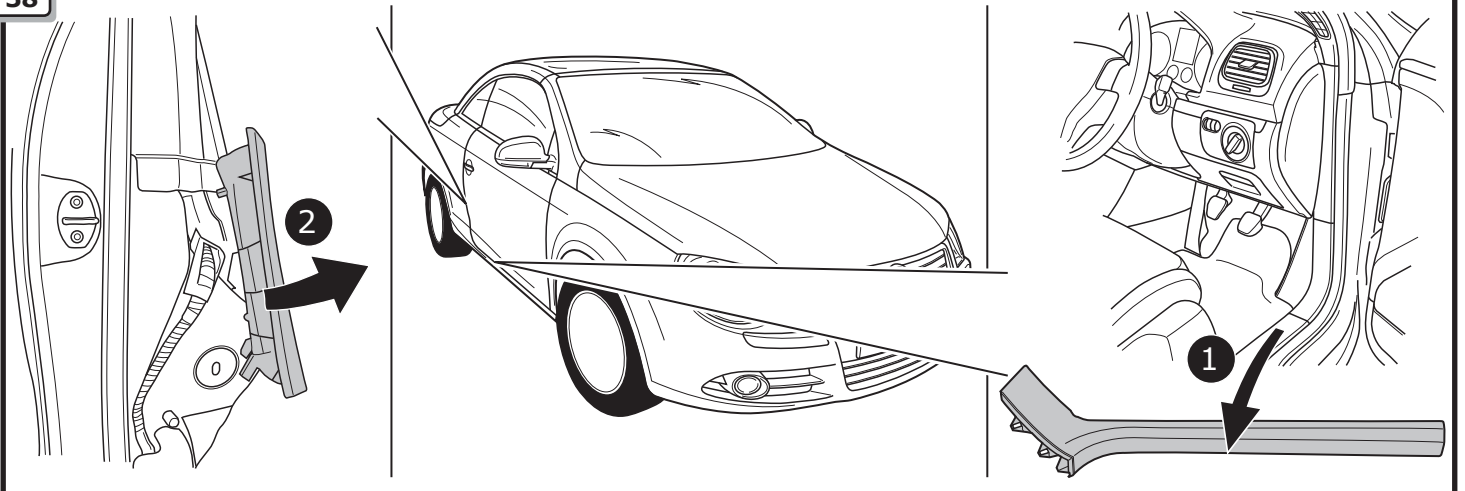


37

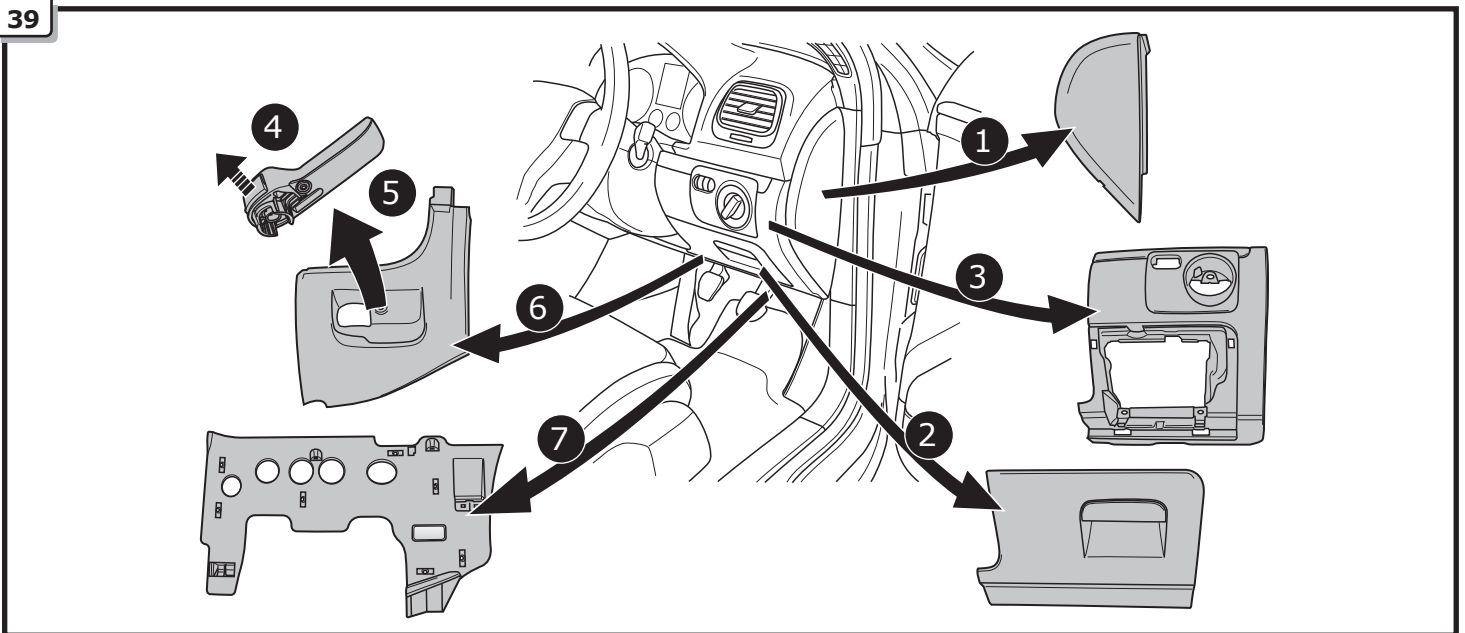


### Eos

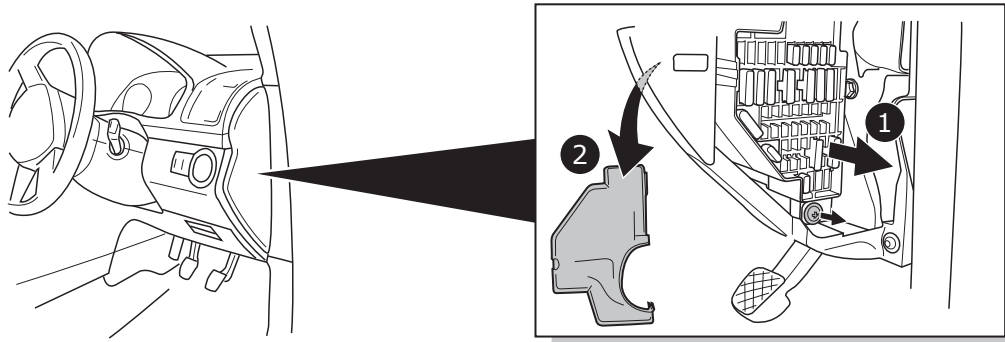
38



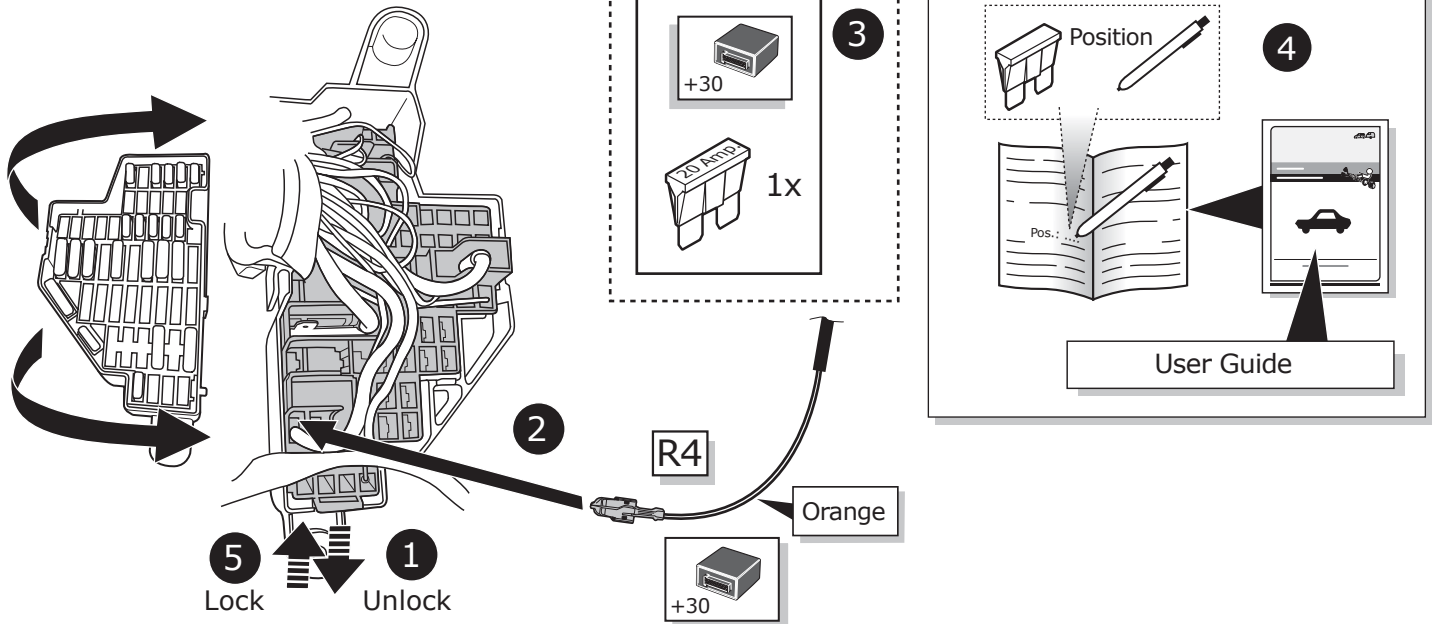
39



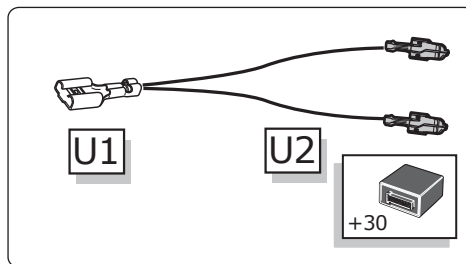
40



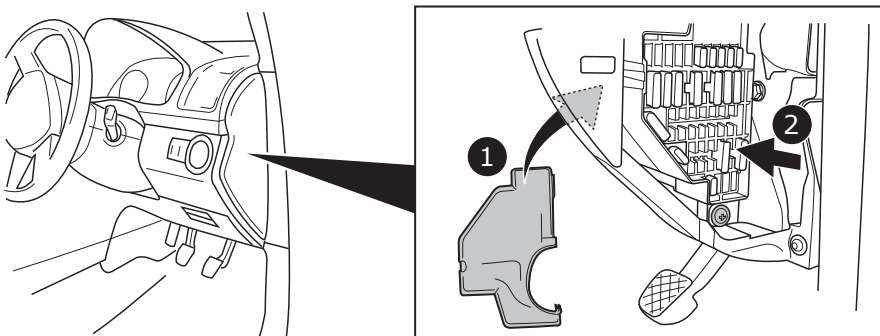
41



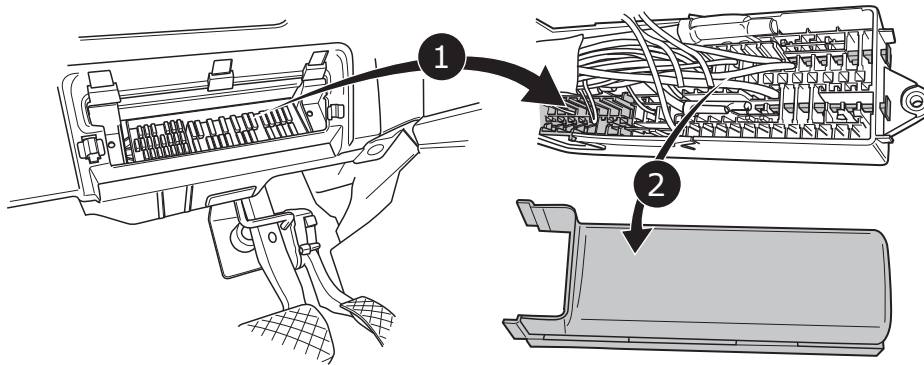
Use if there is no prepared +30 location:



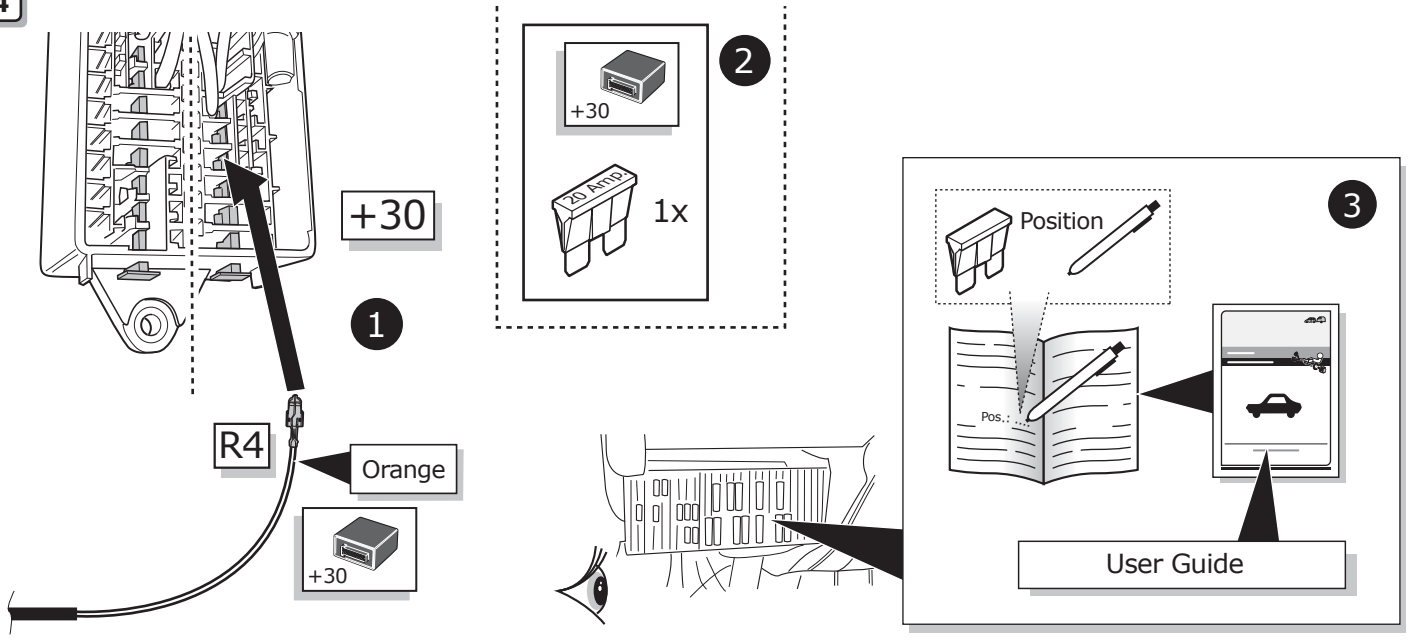
42



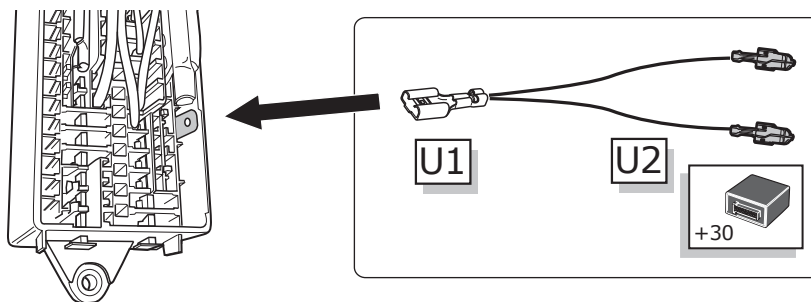
43



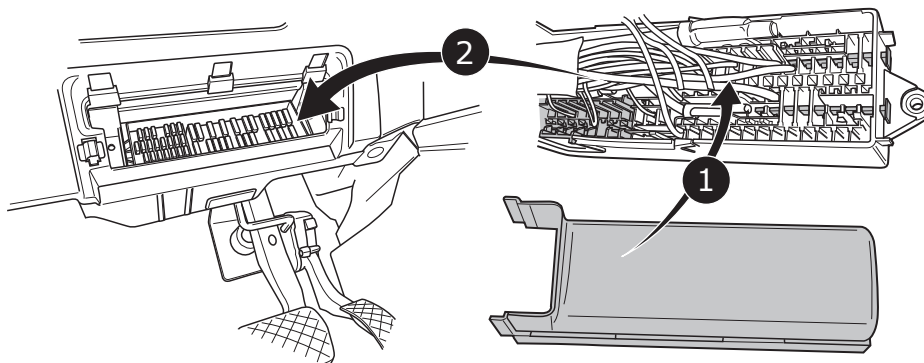
44



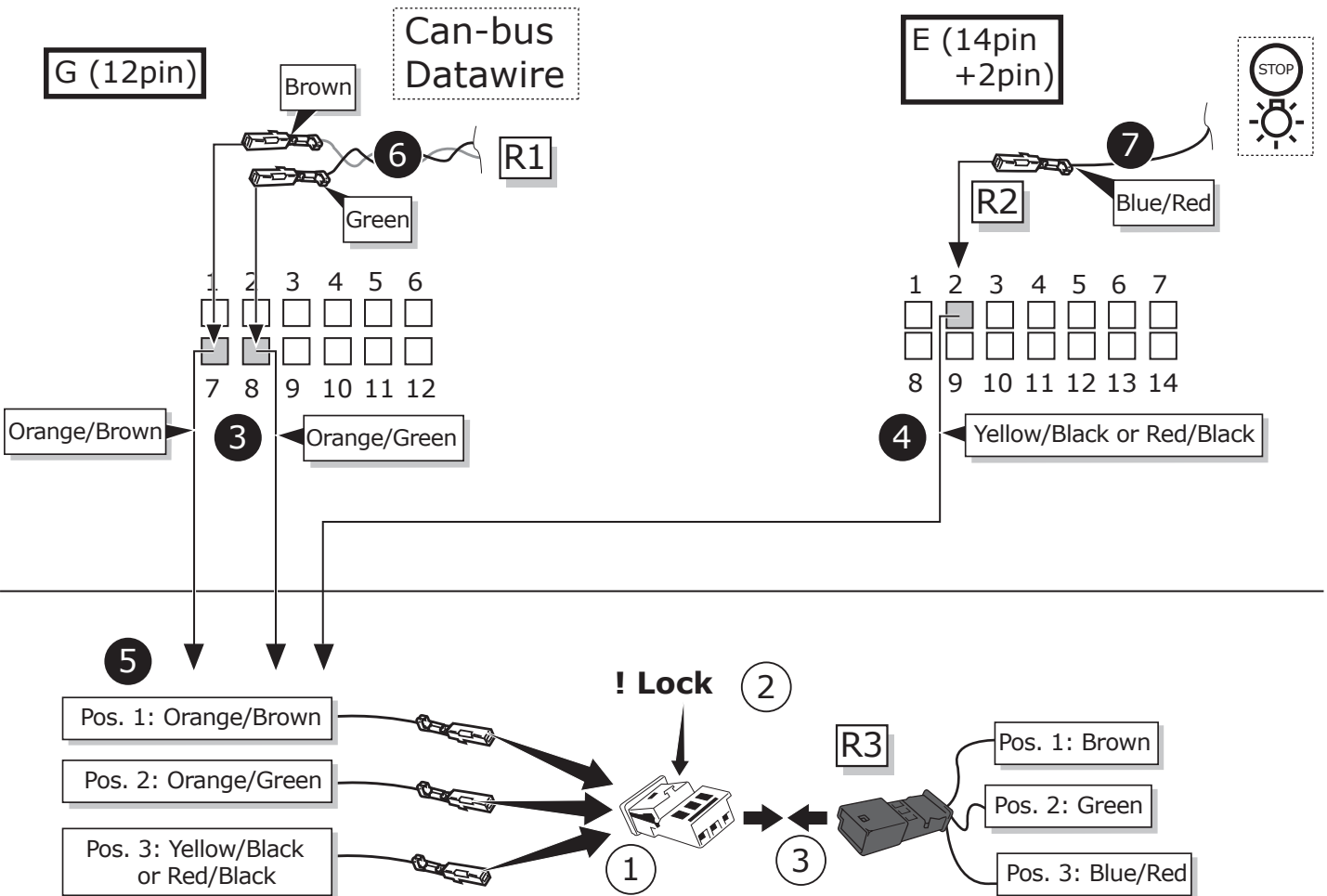
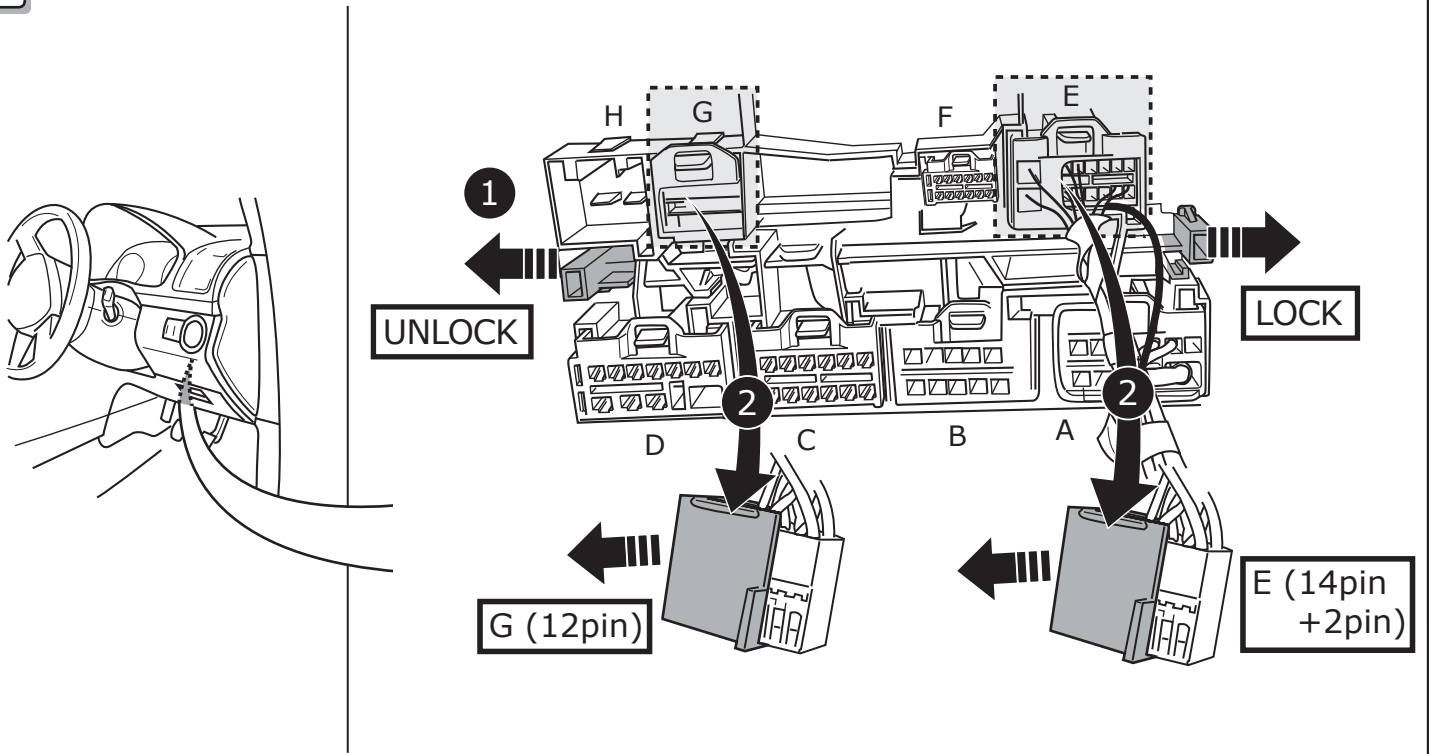
Use if there is no prepared +30 location:



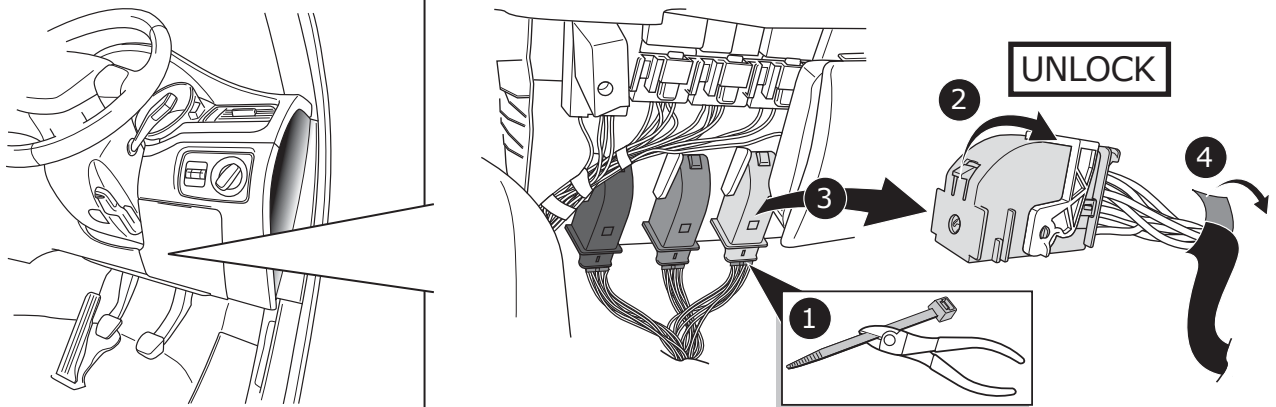
45



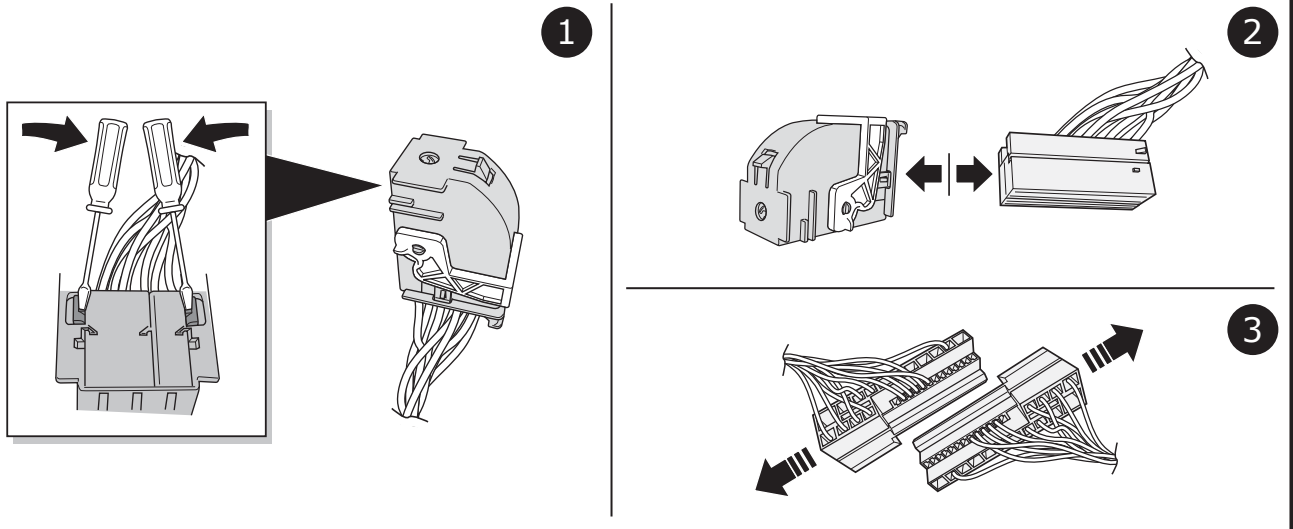
46



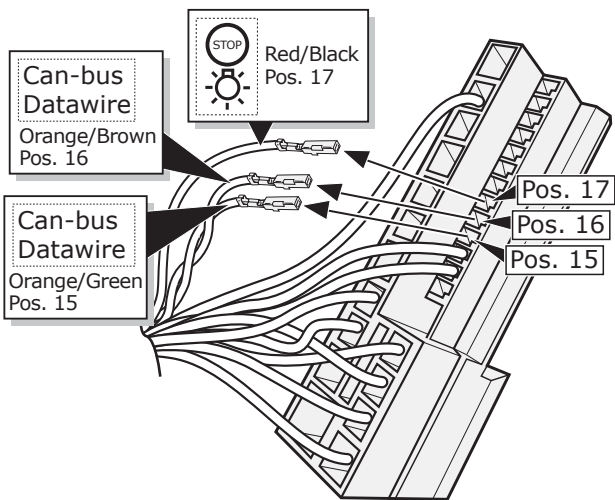
47



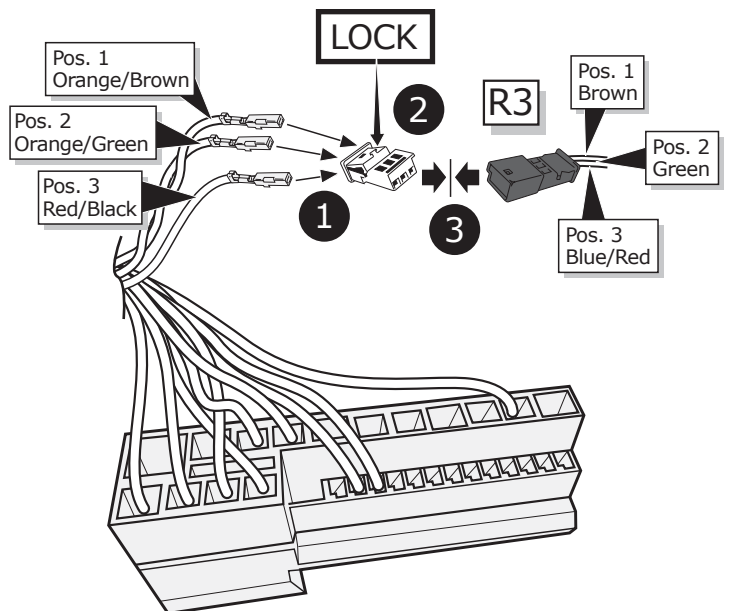
48



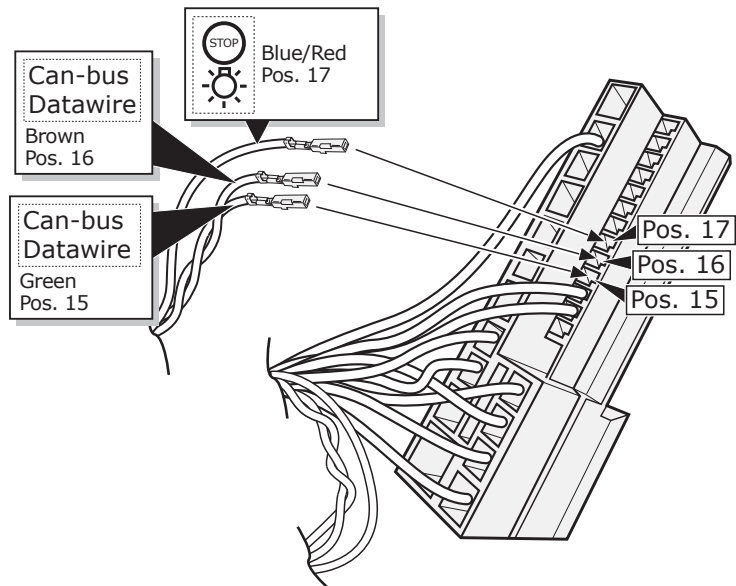
49



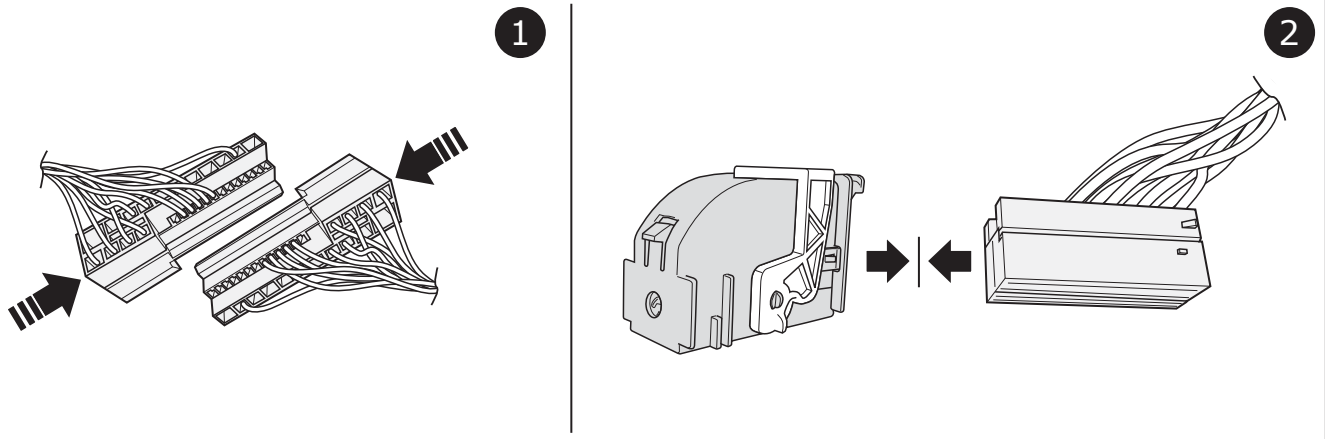
50



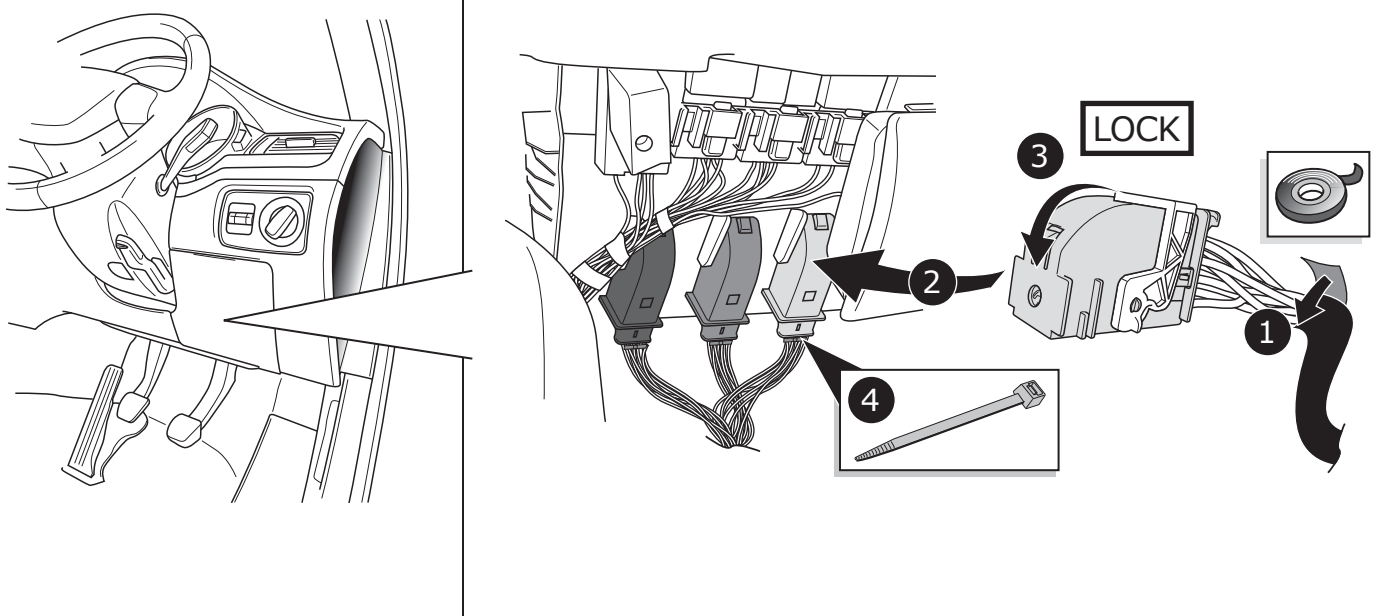
51



52



53

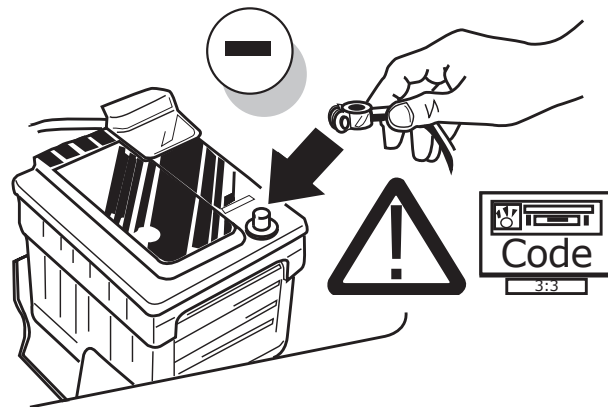


54



A VAG Service Tester must be used to code the vehicle's Gateway with the additional function for the towing hitch at the dealer.

55



56



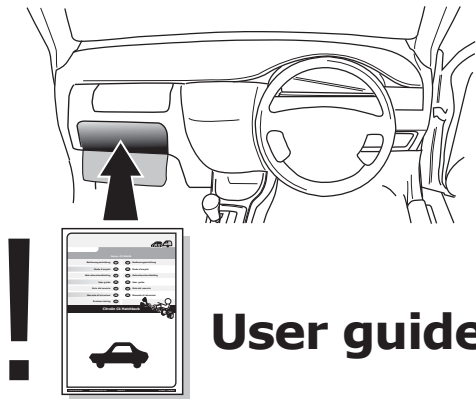
TEST ALL THE CIRCUITS WITH A TEST DEVICE WITH THE CORRECT POWER LOAD FOR EACH FUNCTION. A TEST DEVICE WITH LED'S CANNOT BE USED FOR THIS PURPOSE.

INFO

REINSTALL TRIM.



57



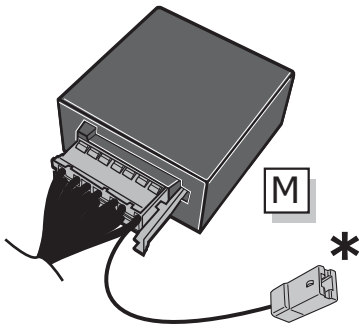
INFO

SOCKET CONNECTION

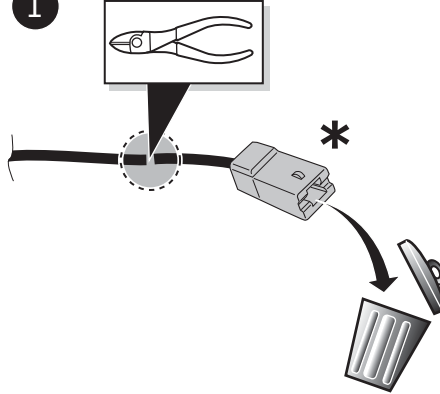
DIN/ISO 1724							
	1/L	2	3/31	4/R	5/58-R	6/54	7/58-L
Pmax	21W	21W		21W	42W	3x21W	42W
Colour	Black/ White	Blue	Brown	Black/ Green	Grey/ Red	Black/ Red	Grey/ Black

# Reverse signal preparation

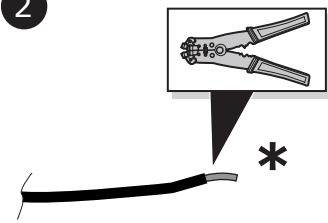
A



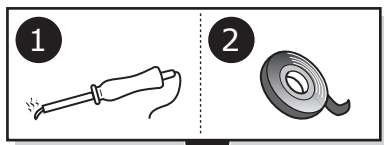
1



2



B



⚠ MAX = 21W

